

MOVEX®

ASE 130



***Manual exhaust hose reels
with hose Ø8", optimized
for worksites with large
stationary vehicles***

Hose reel ASE-130 is a durable solution for work areas with stationary vehicles where there is a need for high airflow. The hose reel also helps to keep the work area clear when it's recoiled and not in use.

ASE 130 has a spring return and is equipped with double spring assemblies for maximum lifting power.

Its lightweight aluminum/sheet steel structure makes it easy to install on a wall or ceiling.

The hose reel is supplied as standard with a sturdy EPDM Ø8" hose, and can also be equipped with special hoses, such as a hose with a higher temperature resistance.

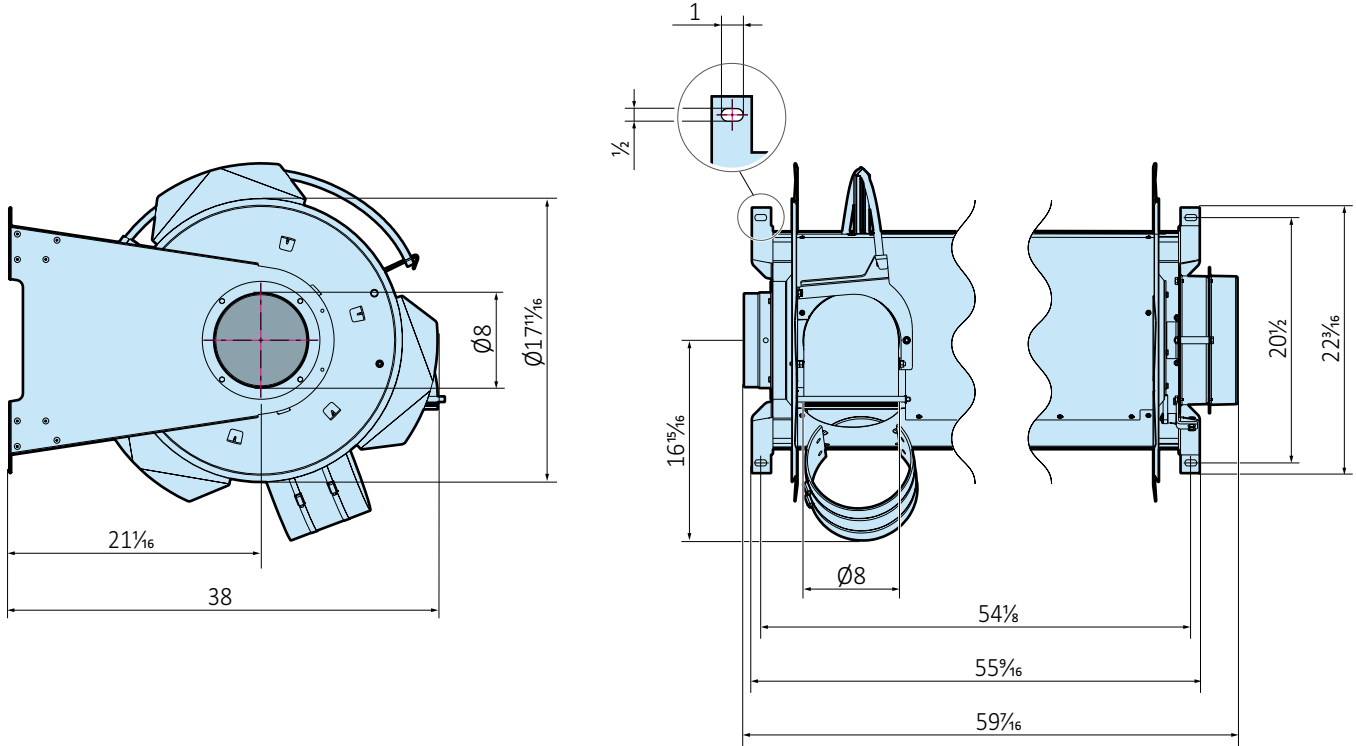
The exhaust extraction system can be connected either to a separate fan or a central extraction system.

The Movex range also includes exhaust extractors, fans, filters, control units and workshop equipment.

EXHAUST EXTRACTION
Pure advantages

MOVEX® ASE 130

Dimension drawing (in)



Versions

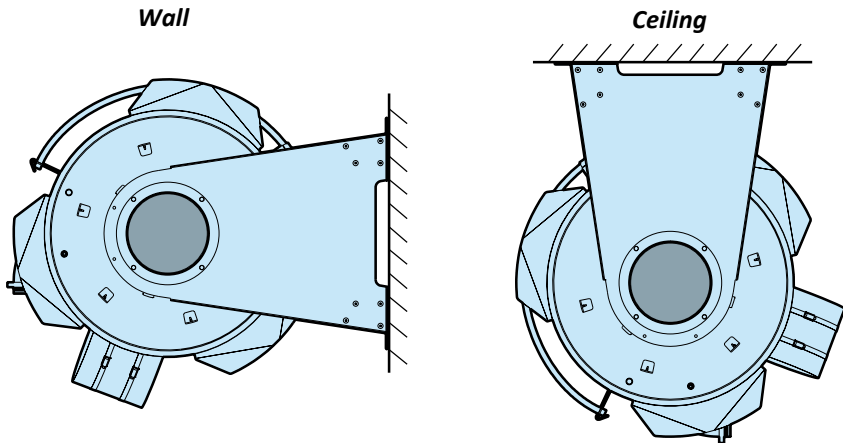
Movex hose reels offer a variety of opportunities to adjust the hose length based on the planned mounting height.

ASE 130	Ø	Hose length	Drop
Manual return	(in)	(ft)	(ft)
ASE 130-8"/33 ft	8	33	-
ASE 130-8"/41 ft	8	41	5
ASE 130-8"/49 ft	8	49	13

Greater flexibility

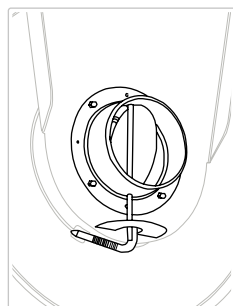
The double spring assembly provides ASE 130 the possibilities of both a wider working radius and the freedom to choose the mounting height because the weight of the hose doesn't place stress on the return mechanism function.

The hose reel is suitable for mounting on walls and ceilings.





Accessories



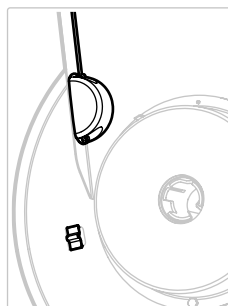
ASES 200 - Automatic mechanical damper

An automatic mechanical butterfly damper is fitted in the connection sleeve. The damper is activated by the hose reel's rotation - when the hose is extended the damper opens. When the hose is reeled in, the damper is closed.

The damper has a clear indicator, showing whether the damper is open or closed.

The ASES 200 is an energy-saving accessory which can be supplemented with fan pressure control to make the system more efficient.

Fits: ASE 130



ASE 865 - Switch for fan/ electric damper control

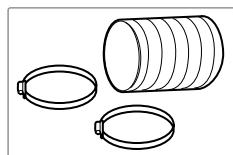
An externally fitted switch is activated by the hose reel's rotation.

Switch is used to automatically start/ stop the fan and electric damper.

A Movex S 600/S 400 control unit is used as the finishing touch to the system. See the separate product sheet on automatic control units for vehicle exhausts.

Max 24 V supply voltage.

Fits: ASE/ASEM



ASL 200

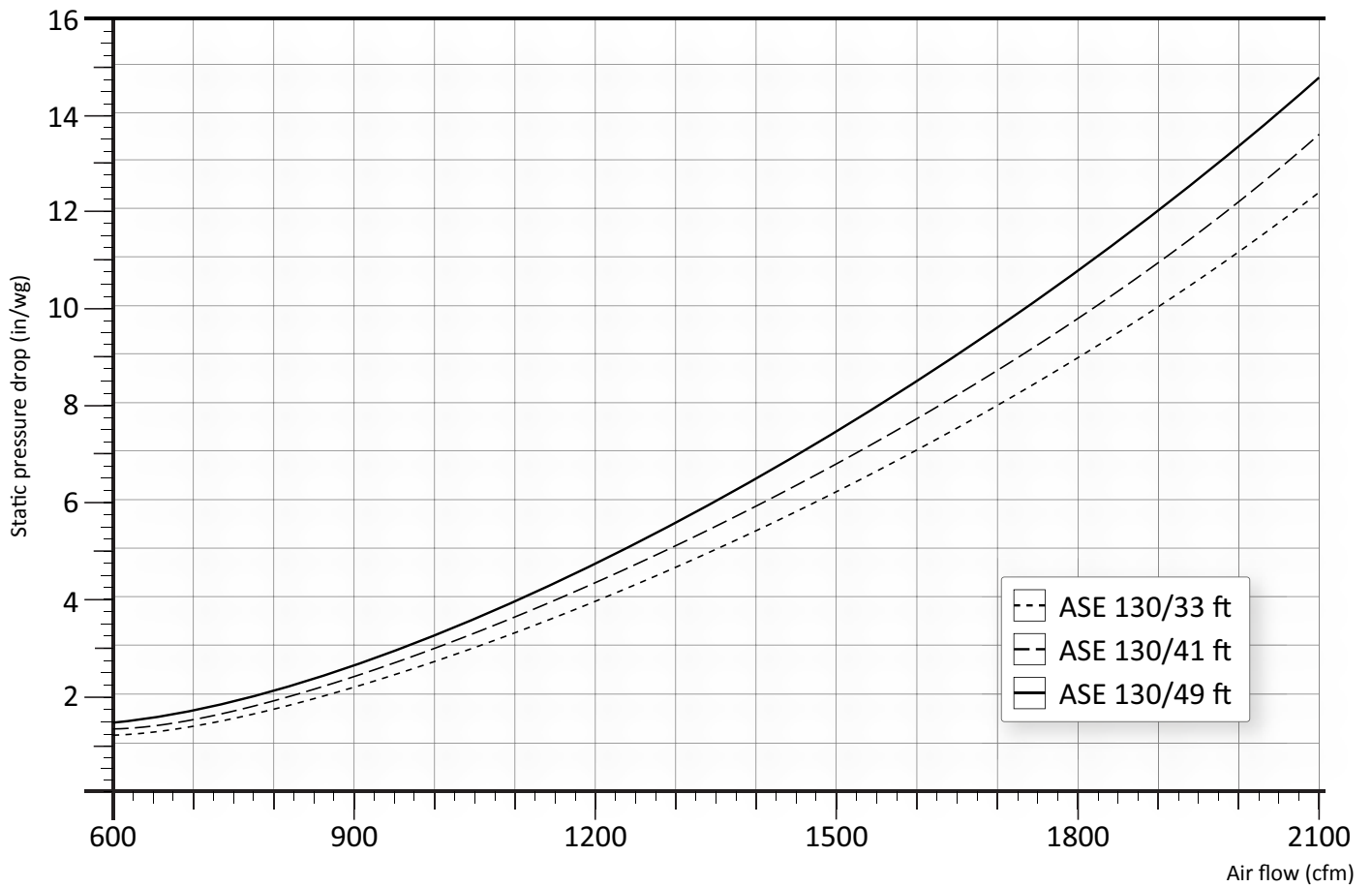
Hose, 8" with hose clips for connecting the hose reel and pipe.

Fits: ASE/ASEM

Additional information

- Information about suitable nozzles for Movex hose reels is available in a separate product sheet "Exhaust nozzles".
- Refer to the "Automatic control unit for exhausts" product sheet to find out the maximum energy savings and minimum noise level achievable.

Pressure drop (fully extended hose)



Specifications

Form of delivery

Supplied complete with hose type AGX.

Surface treatment

Sheet metal parts - Powder-coated.
 Aluminum parts - Anodized.

AGX hose type

EPDM with 1/16" steel helix,
 temperature range -20°F – 340°F.

Spring

Clock spring, spring steel DIN 1234.

Weight

ASE 130/33 ft	170 lb
ASE 130/41 ft	181 lb
ASE 130/49 ft	192 lb

