

EXTRACTION ARMS



PTEX

Telescopic extractor arm, ideal for confined work areas such as welding booths and workbenches.



MOVEX
PURE ADVANTAGE



MOVEX PTEX
Telescopic arm
from 3' - 7'.

Telescopic extractor arm for confined work areas

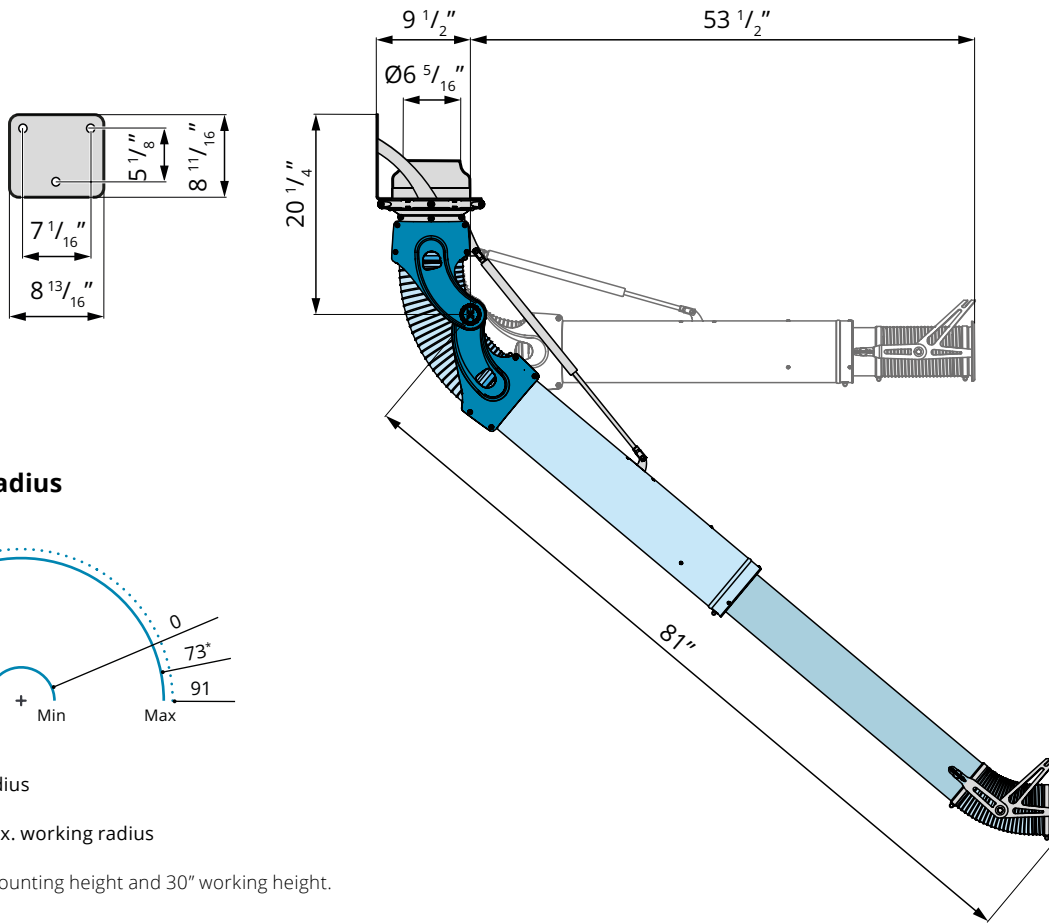
MOVEX PTEX – a compact and flexible telescopic extractor arm with low pressure drop. The extractor arm has a diameter of 5" and its length can be extended from 3' - 7'. A gas spring balances the weight of the arm, and PTEX is equipped with an adjustment knob at the upper friction joint, which makes adjustment very easy.

The suction nozzle and manual damper are made entirely of sheet steel with Movex's simple quick-coupling system for accessories. It can be rotated 360° and angled 90°. In addition, the wall bracket has a 360° swivel function. MOVEX PTEX is easy to install and comes with accessories for ceiling or floor mounting.

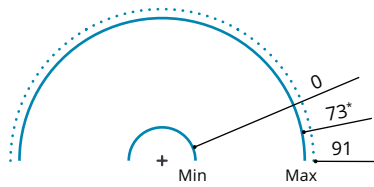
The extractor arm is supplied with flame-resistant PVC hose as standard, and, depending on the nature of the work, there is a range of different hoses available.

External support arms produce low pressure drop and little risk of blockage. The smooth interior of the suction tube makes PTEX very easy to clean.

Dimensional drawing (in)



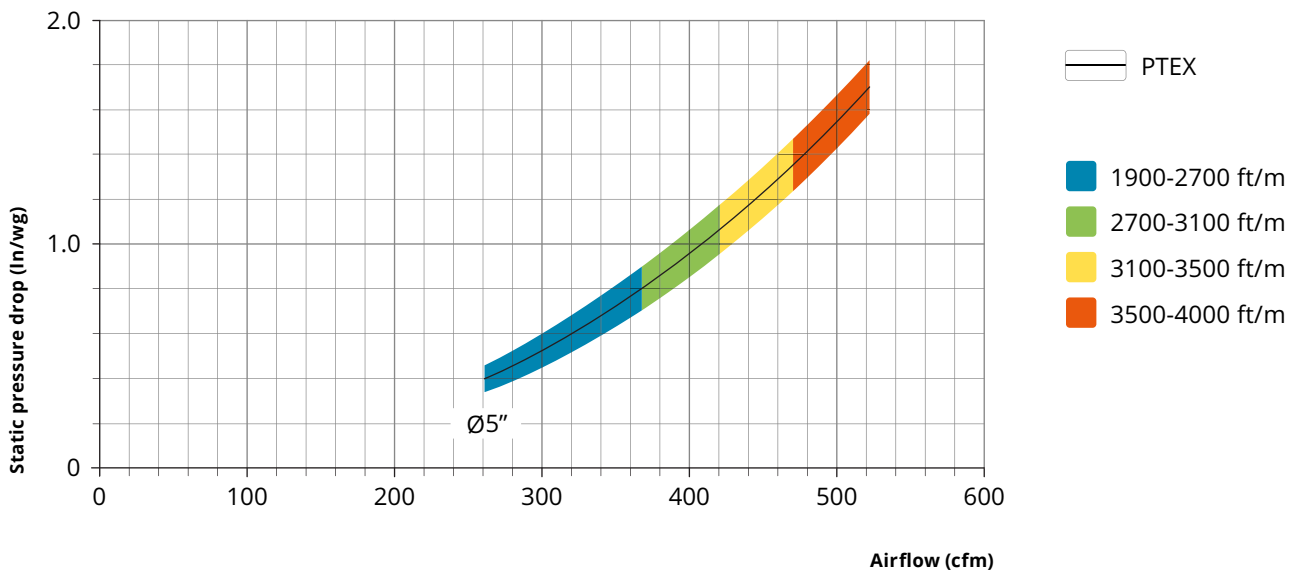
Working radius



- = Max. radius
- = Min./max. working radius

* At 84" mounting height and 30" working height.

Pressure drop diagram

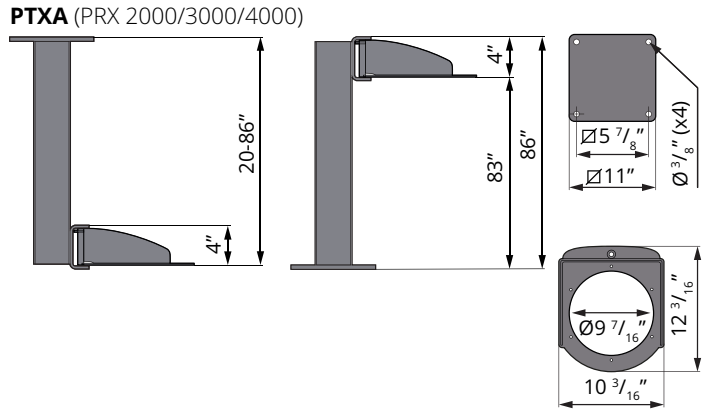


Ceiling and floor brackets

PRX is supplied with wall brackets as standard, and can also be mounted on floors and ceilings.

PTXA

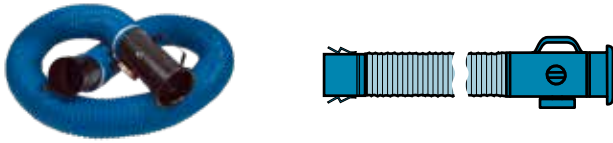
- Ceiling and floor brackets
- Available in lengths of 20", 40", 60", 80" and 86".
- Rotateable 360°.



Accessories

Extension hose PFS

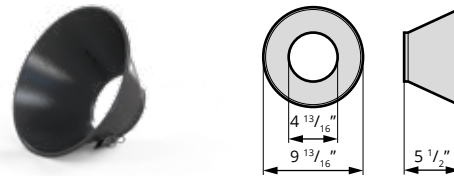
With magnetic nozzle and quick coupling. Flame-resistant hose according to DIN4102B2 (M2).



Article	Ø (in)	Length (in)	Weight (lb)
PFS -125/4	5	13	8
PFS -125/8	5	26	13

Conical hood PK

Sheet steel hood with quick coupling. Powder coated, anthracite grey.



Specifications

Form of delivery

The extraction arm is supplied partially assembled, including wall bracket, for simple installation.

Hose type

PVC. Flame-resistant, suitable for welding and flue gases. Temperature-resistant between 14°F and 194°F. Other hose quality can be supplied upon request.

Surface treatment

Plastic parts PA, PA 30% and PEHD-300
 Aluminium parts Powder coated
 Steel parts Black oxidized, electrogalvanized or powder coated.

Weight (excl. hose)

31 lbs incl. wall bracket and swivel

THE MOVEX RANGE INCLUDES EXTRACTION ARMS · VEHICLE EXHAUST EXTRACTION · FANS · FILTERS · CONTROLS

MOVEX

104 Commerce Drive, NORTHAMPTON, PA 18067, USA • Tel: 610-440-0478 • Fax: 610-440-0480 • Email: info@movexinc.com

www.movexinc.com