

MOVEX **RX RF**

Local extractor in stainless steel where great flexibility and efficient extraction are important



The Movex local extractor RX RF, with lengths 5, 7, 10 and 14 feet, is equipped with a gas spring that balances the dead weight of the arm. For this reason, the RX RF is extremely easy to handle at the same time as it stays without rebounding when positioned, even in the outer positions. The conical hood incorporates a swivel function and may be rotated 360° and moved to a 90° angle. This allows the hood to be positioned as required.

MOVEX RX RF is manufactured fully in stainless steel and has a reinforced PE hose for the best chemical resistance.

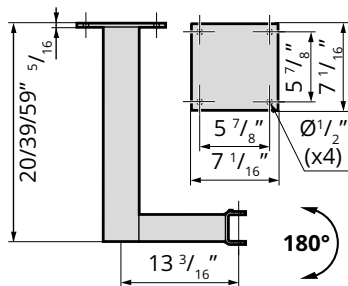
The smooth inside of the suction tubes makes the RX RF very easy to clean. Adjustments of joints, as well as, maintenance can easily be taken care of with hand tools from the outside.

MOVEX always designs its local extractors with supporting arms on the outside, which ensures a natural and undisturbed air flow. In addition, the pressure drop will be low and there is hardly any risk of tubes being blocked.

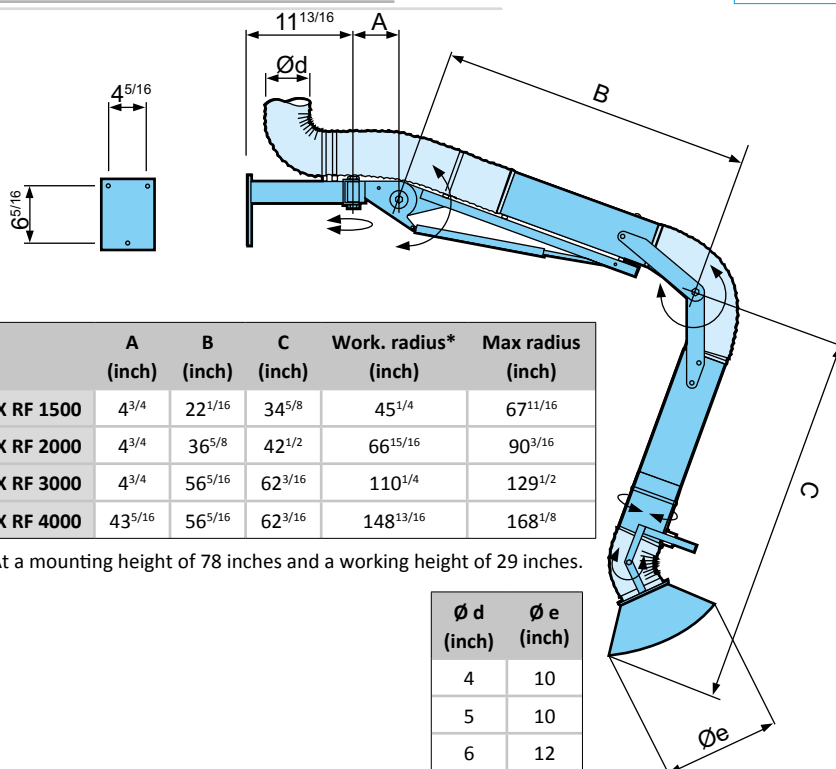
The Movex RX RF is easy to install and can be delivered with brackets for ceiling mounting.

Movex also offers a range of fans, accessories, automatic control devices and filters for our local extractors.

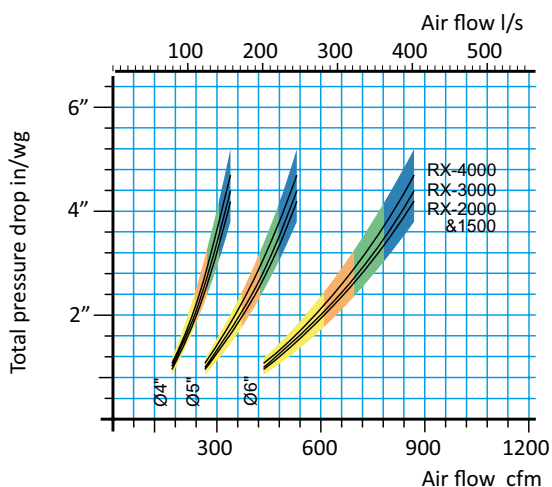
**LOCAL EXTRACTOR
Pure advantage**



Ceiling mounting
TIX 500RF
TIX 1000RF
TIX 1500RF



* At a mounting height of 78 inches and a working height of 29 inches.



The black line shows the pressure drop for the extractor when in the same position as the arm on the design above. The area in the diagram shows the pressure drop during normal use. The different tints show air velocity in the extractor according to the code below.

Hose

Reinforced Polyethylene (PE) with a bronzed spring steel coil.
For other hose qualities, contact MOVEX.

Tubes and hood

Stainless steel, AISI 316 L

Structure

Stainless steel, AISI 316

Delivery

For easy installation, the arm is delivered fully assembled including bracket for wall mounting. Accessories include brackets for ceiling mounting.

Hose

Qualities
Temperature range

Non-inflammable.
-14 °F to +176 °F

Gas spring

Working temperature
Temperature range

+68 °F
-40 °F to +194 °F

Other information

Surface treatment of metal components

Electrolytic polishing

Weight (Ø160)

RX 1500RF:	31 lb	TIX 500RF:	15 lb
RX 2000RF:	35 lb	TIX 1000RF:	21 lb
RX 3000RF:	40 lb	TIX 1500RF:	26 lb
RX 4000RF:	49 lb		