

Flexible rail solution for welding extraction.



For a flexible welding solution, the APS-rail, can be supplied with one or more trolleys equipped with the PR welding fume extractor.

The unique design of the profile rail has distinct advantages for installation, during use and for maintenance:

- The market's lowest pressure drop means low operating costs.
- A rubber flap naturally seals the air gap, minimizing leaks.
- Simple installation of the rubber flap.
- Profile edge on the rear of the rail makes installation simpler.

The PR extractor gives many important advantages:

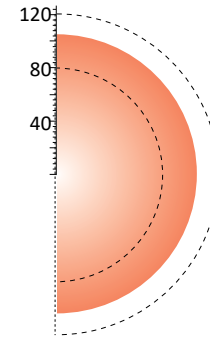
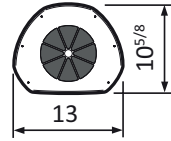
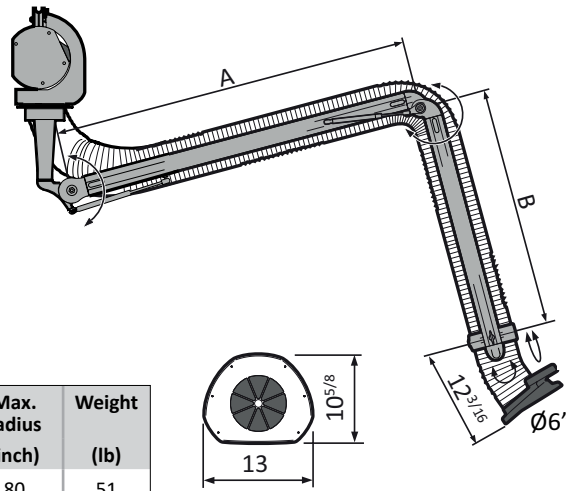
- Unique ease of maneuverability.
- High position stability
- Hood designed for maximum capture

PR's design is based on Movex's basic principles with an external arm support.

Movex recommends at least one piece Ø6 inch connection, either from the side or from the back of the rail, per trolley.

The rail is connected to a separate fan or central exhaust system.

The Movex range also includes fans, accessories and control devices suitable for local extractors

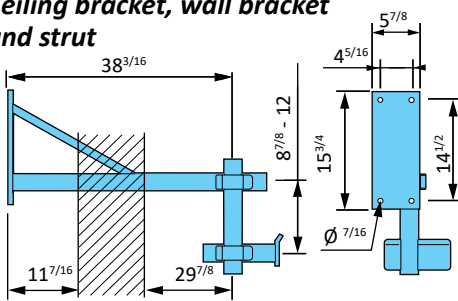


Working radius
 - - - - - Max. radius

At a mounting height of 7 feet and a working height of 2 feet, 6 inches.

	A (inch)	B (inch)	Working radius (inch)	Max. radius (inch)	Weight (lb)
PR 2000	37 ^{1/2}	19	57	80	51
PR 3000	57	39	106	120	55

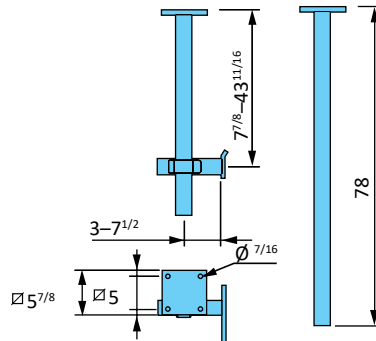
Ceiling bracket, wall bracket and strut



Wall bracket, adjustable

Powder coated steel. Max length 39 inches. The bracket sections are joined using coupling connectors. Weight: 27 lb

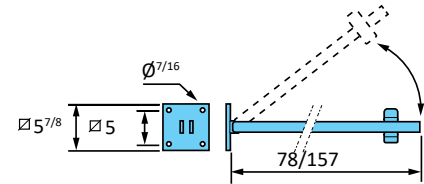
Item No.	Description	Length
APS 210	Adjustable wall bracket	max 39 inches



Ceiling bracket, adjustable

Powder coated steel. Adjustable length, 7-78 inches. The bracket sections are joined using coupling connectors. Weight: 39 inch - 17lb, 78 inches - 22 lb

Item No.	Description	Length
APS 200	Adjust. ceiling bracket	max 39 inches
APS 205	Adjust. ceiling bracket	max 78 inches

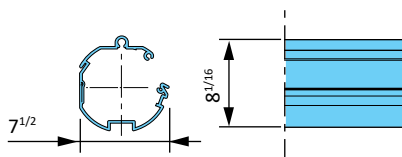


Strut, ceiling or wall fixing

Powder coated steel. Length 78 or 157 inches. Turnable coupling connectors.

Weight: 78 - 16 lb, 157 - 29 lb

Item No.	Description	L
AS 222	Strut pipe with plate	78 inches
AS 224	Strut pipe with plate	157 inches

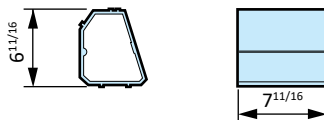


Profile rails

Made from anodised aluminum, with a track picture for simple installation of the bracket and rubber strip. Available in metre intervals up to 20 feet. Weight/feet: 16 lb

Profile rails

Item No.	Description	L
APS 300/60	Standard length	236"
APS 300/30	Length	118"
APS 300/10	Length	39"

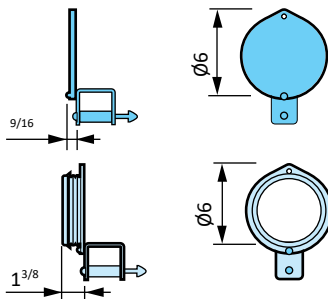


Joint

Anodised aluminum. Used for rail joints longer than 20 feet. Weight: 2.7 lb

Joint

Item No.	Description
APS 310	Joint section



Gable with end stop

Powder coated steel. The end stop consists of a gas damper to capture the trolley. Weight: 3.5 lb

Gable with end stop

Item No.	Description
APS 405	End stop with gas damper

Gable with duct connection

Powder coated steel. Duct connection Ø 5^{5/7}. The end stop consists of a gas damper to capture the trolley. Weight: 2.9 lb

Gable with duct connection

Item No.	Description
APS 415	End stop with duct connection