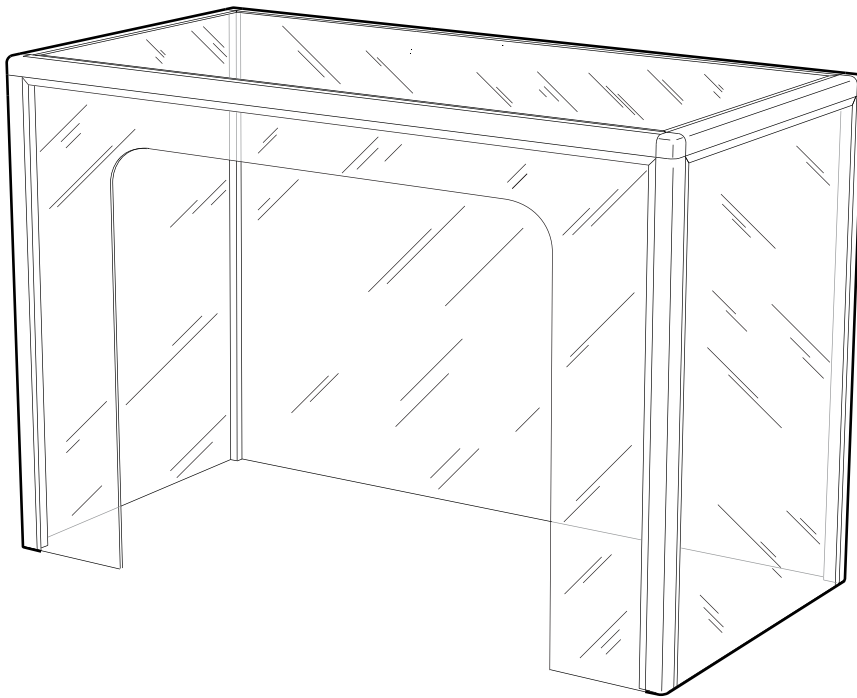
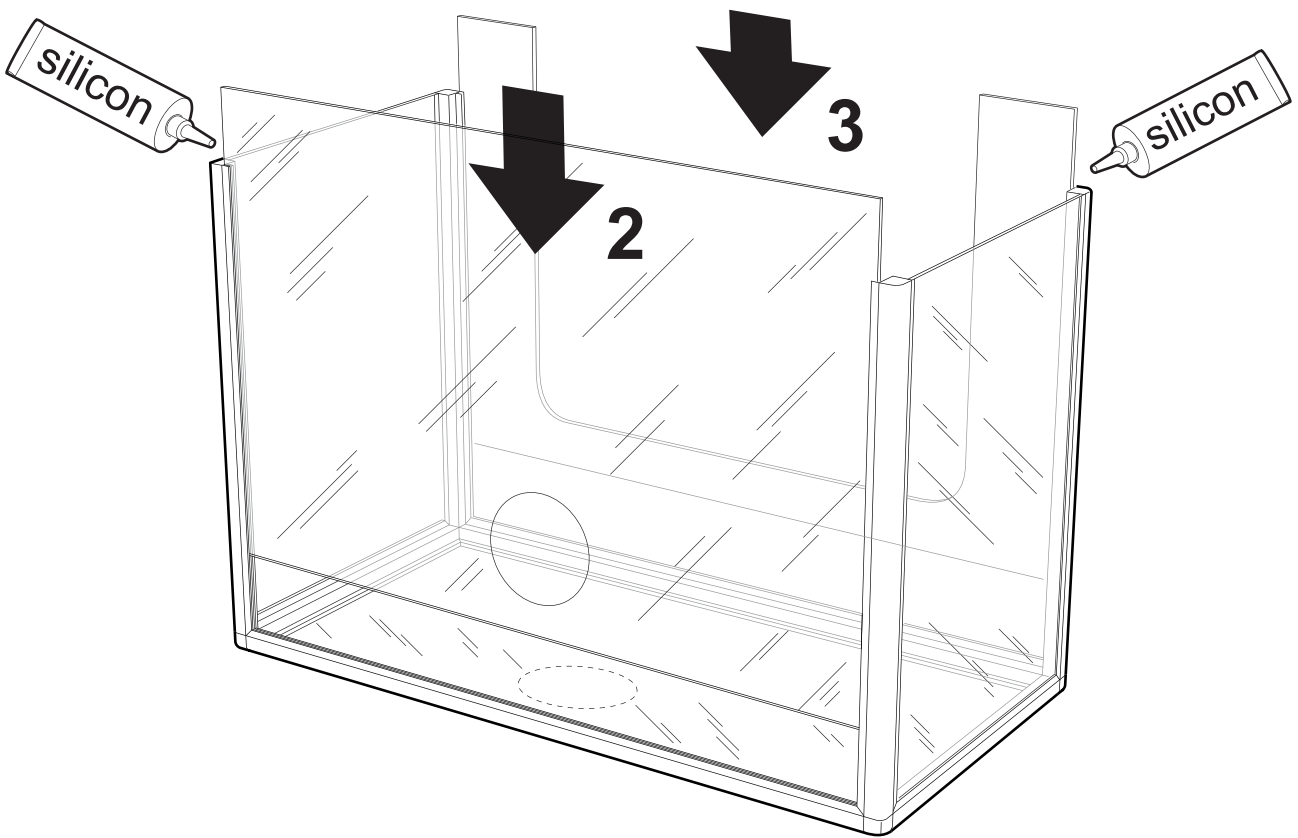
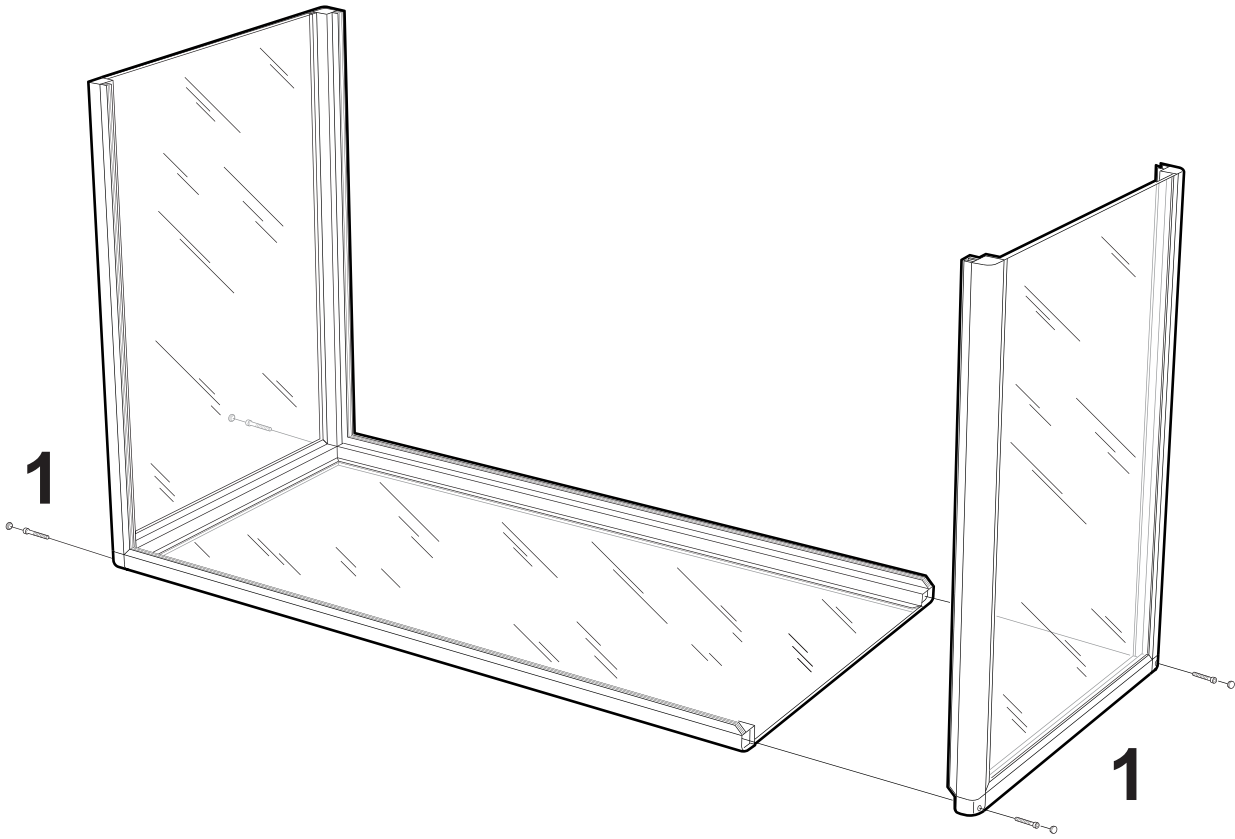


# INSTALLATION

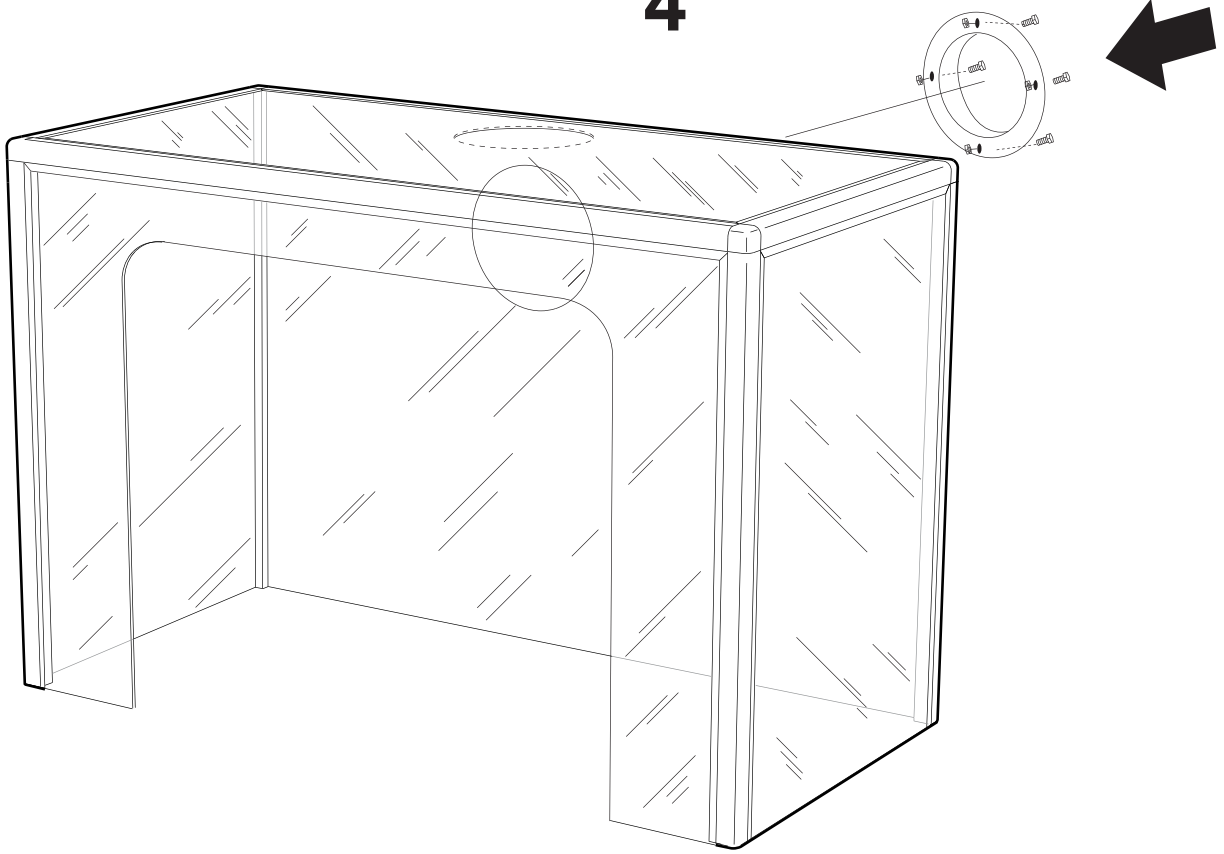
---

## **DSK 400/700**





4



**MOVEX<sup>®</sup>**

104 Commerce Drive, Suit C, NORTHAMPTON, PA 19067, USA | Tel 610-440-0478 | Fax 610-440-0480 | [info@movexinc.com](mailto:info@movexinc.com) | [www.movexinc.com](http://www.movexinc.com)