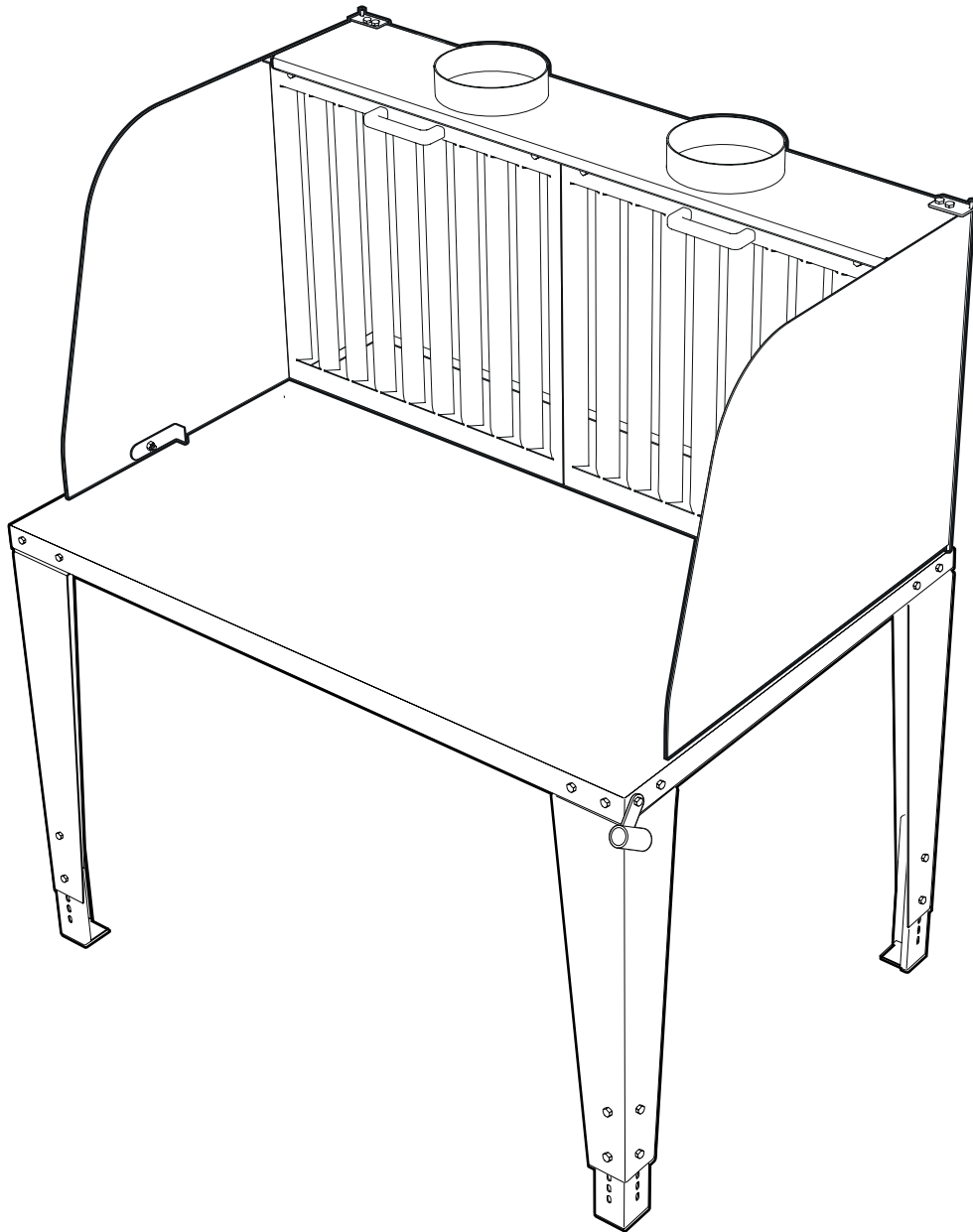


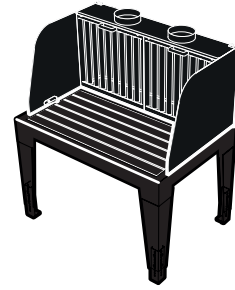
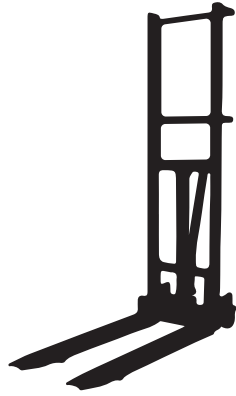
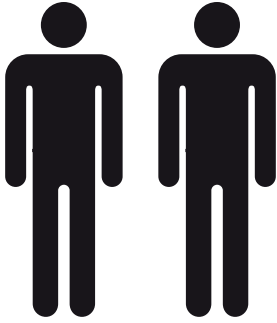


TW

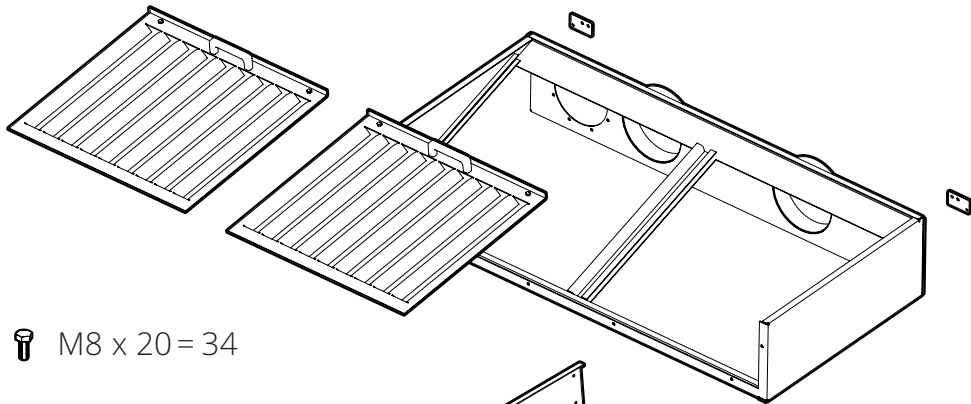



MOVEX


PURE ADVANTAGE




309 lb




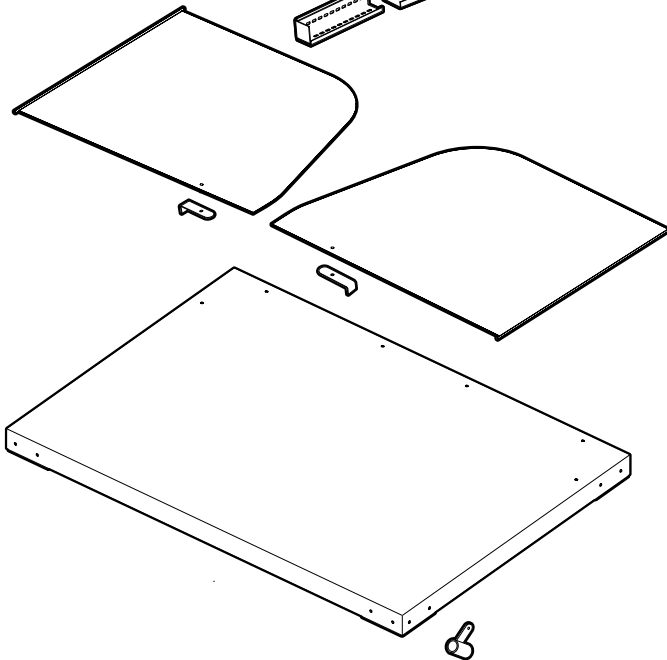
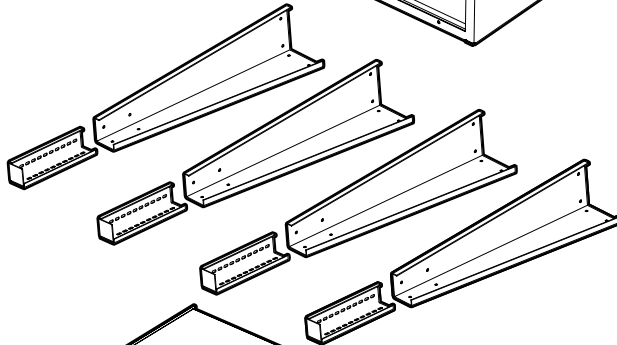
 M8 x 20 = 34

 M8 = 48

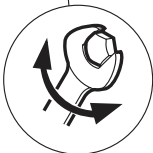
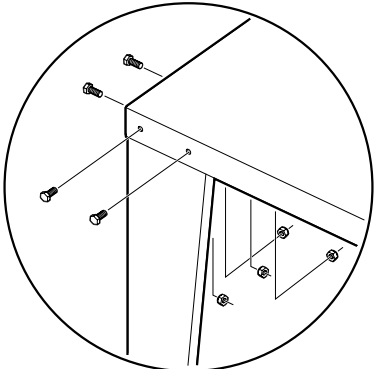
 M8 = 2

 M8 x 16 = 10

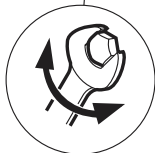
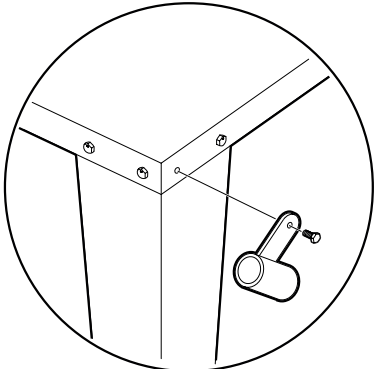
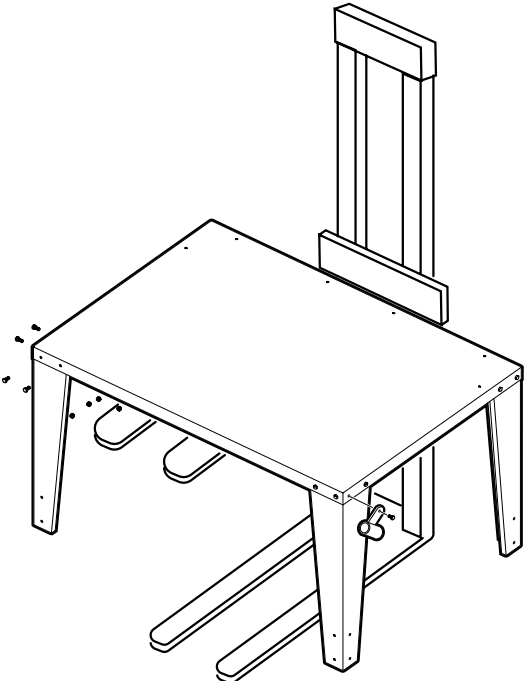
 M8 x 10 = 4



1

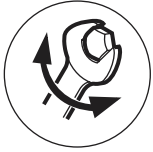


13 mm
M8x20 x 12

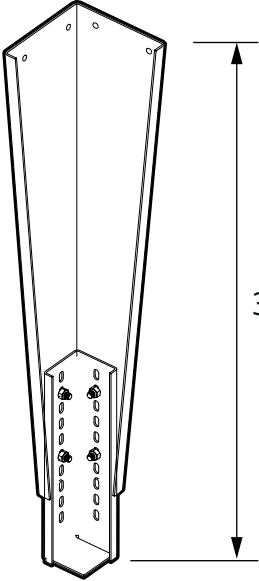
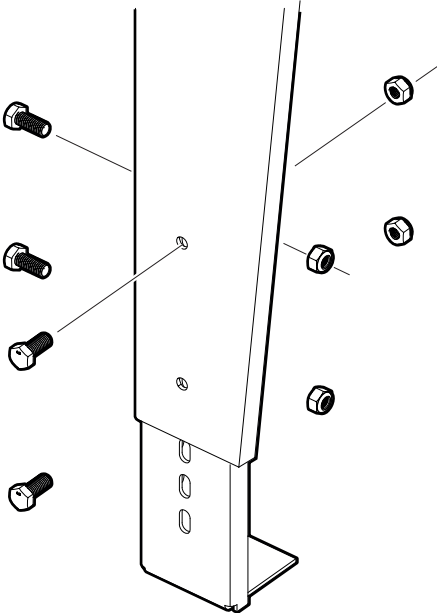


13 mm
M8x20 x 12

2

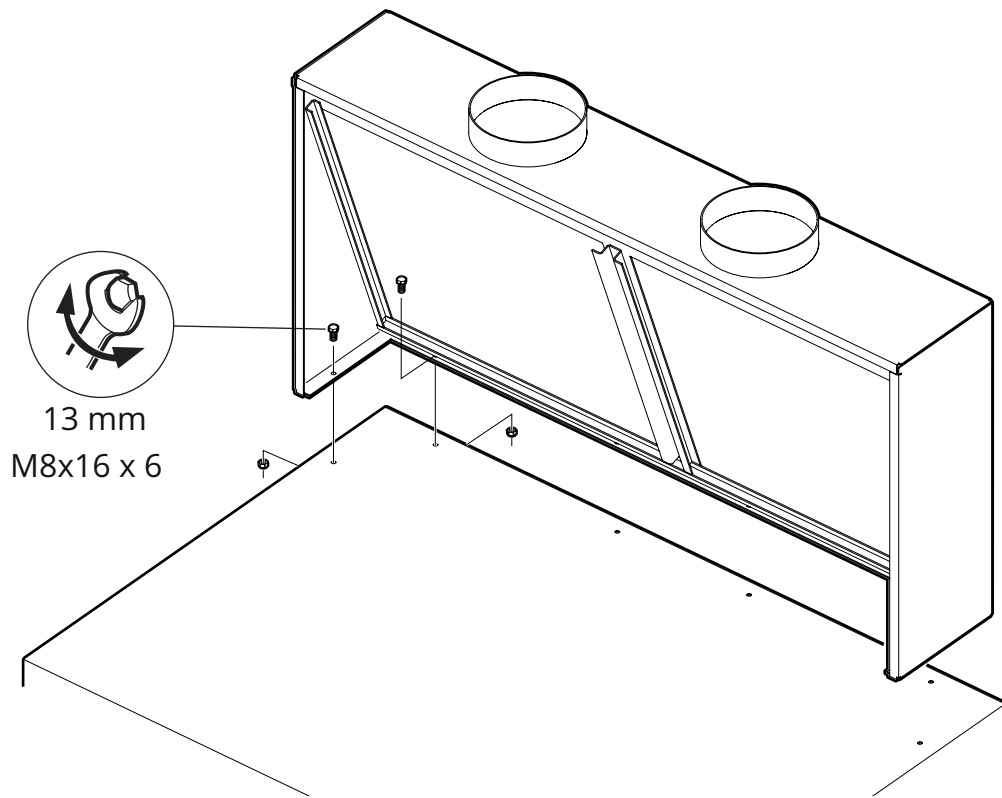


13 mm
M8x20 x 16

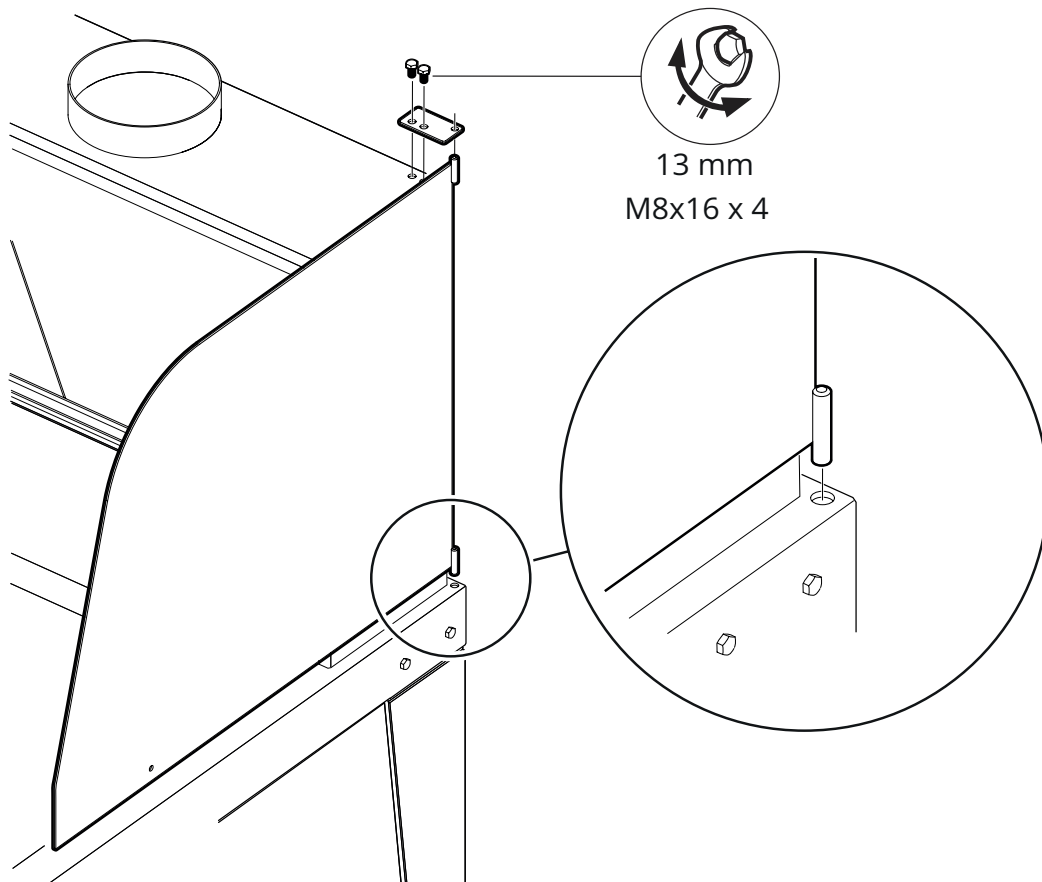


31 1/2 - 37 3/8"

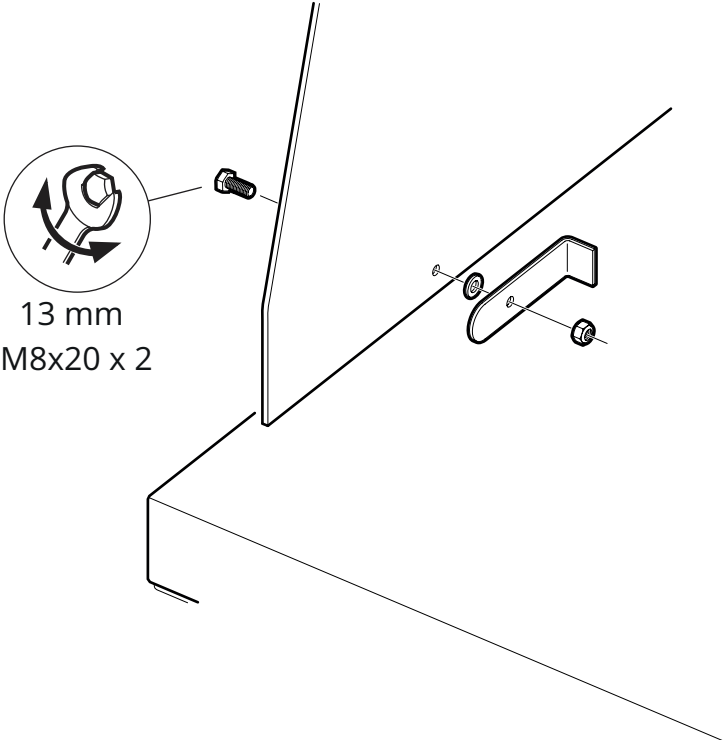
3



4

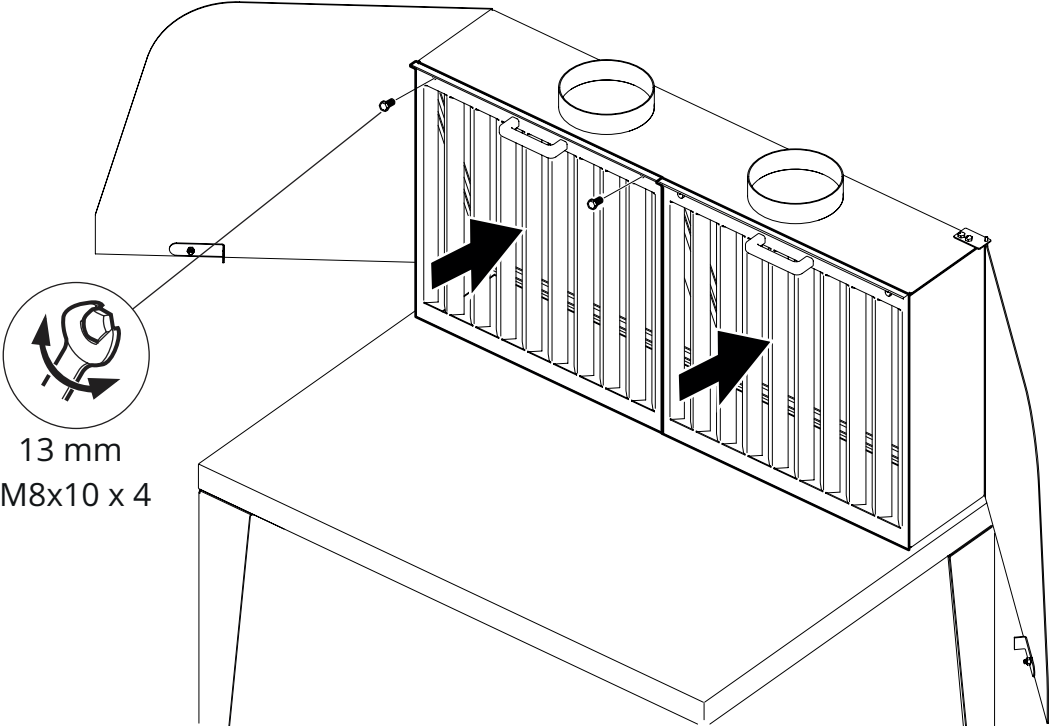


5



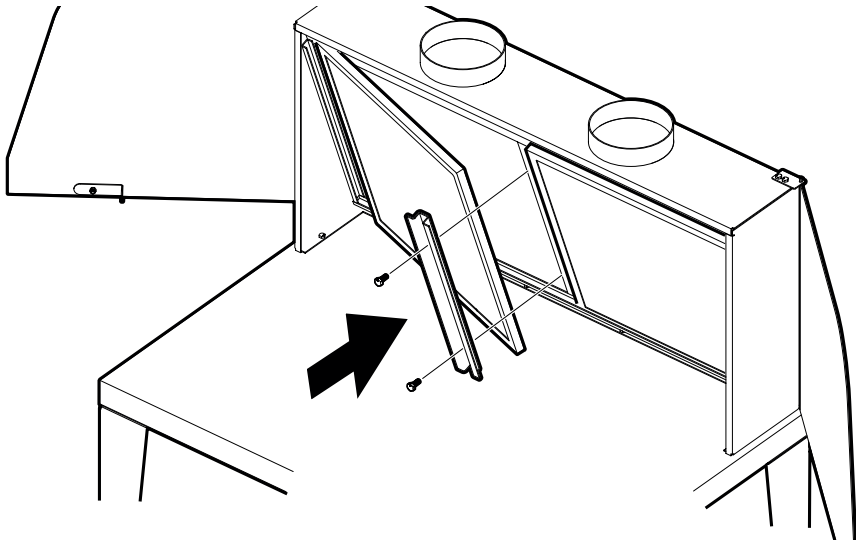
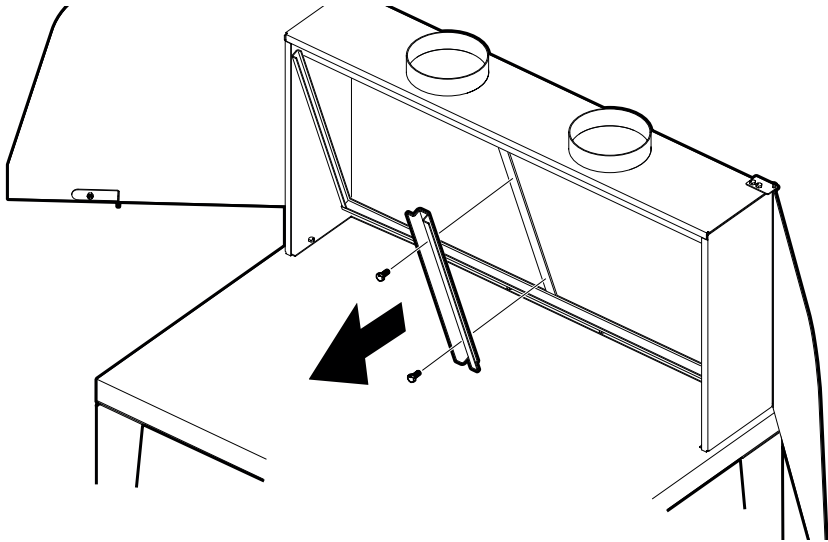
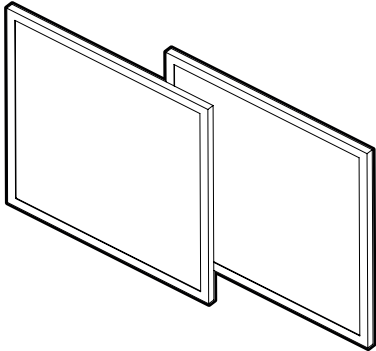
13 mm
M8x20 x 2

6

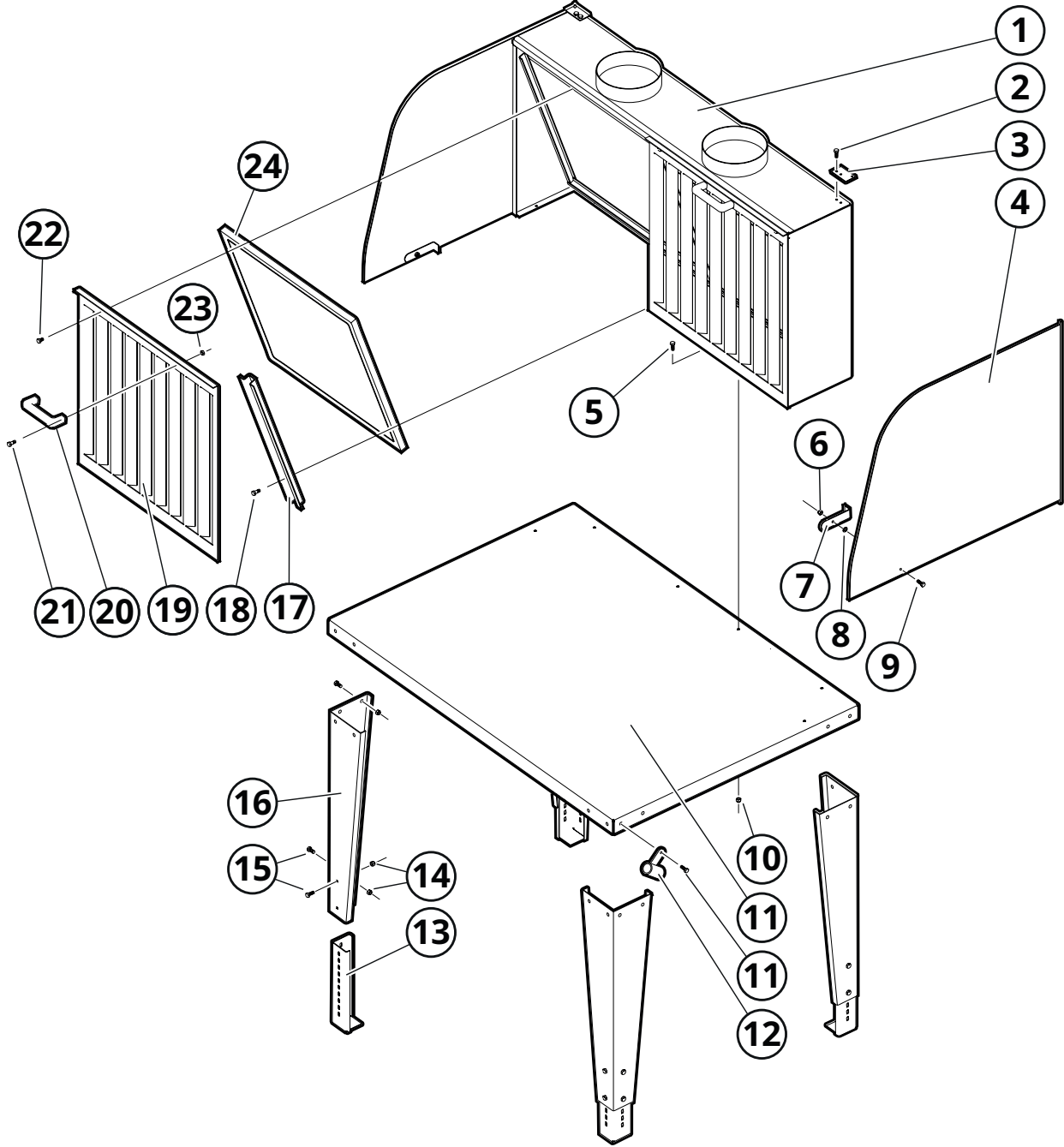


13 mm
M8x10 x 4

Spark trap TST (Accessory)



Exploded view



The **MOVEX** product range includes Extraction Arms · Vehicle Exhaust Extraction · Fans · Filters · Controls · Workshop Equipment

MOVEX

104 Commerce Drive, Suit C, NORTHAMPTON, PA 19067, USA · Tel 610-440-0478 · info@movexinc.com · www.movexinc.com