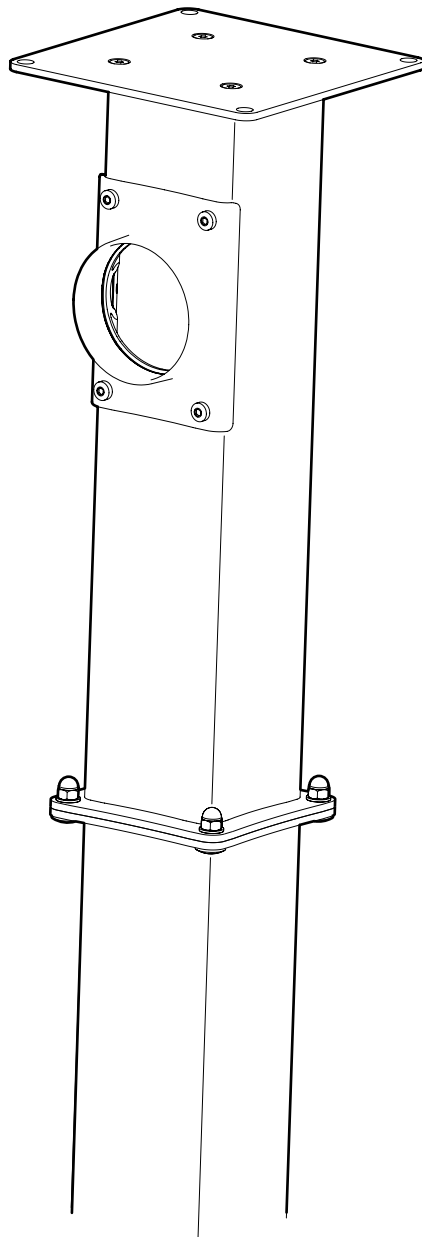
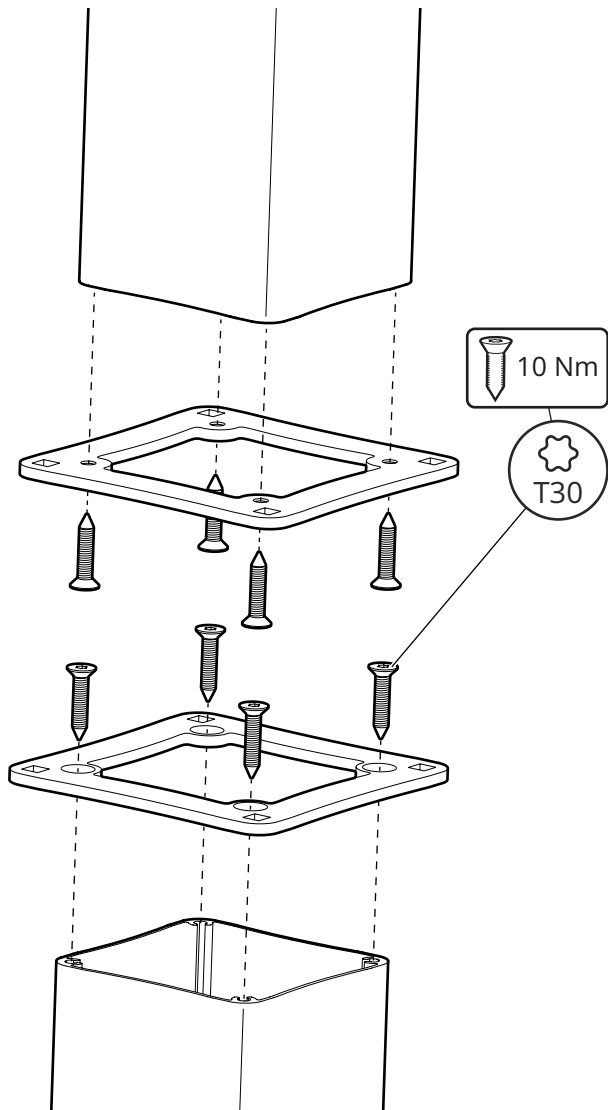




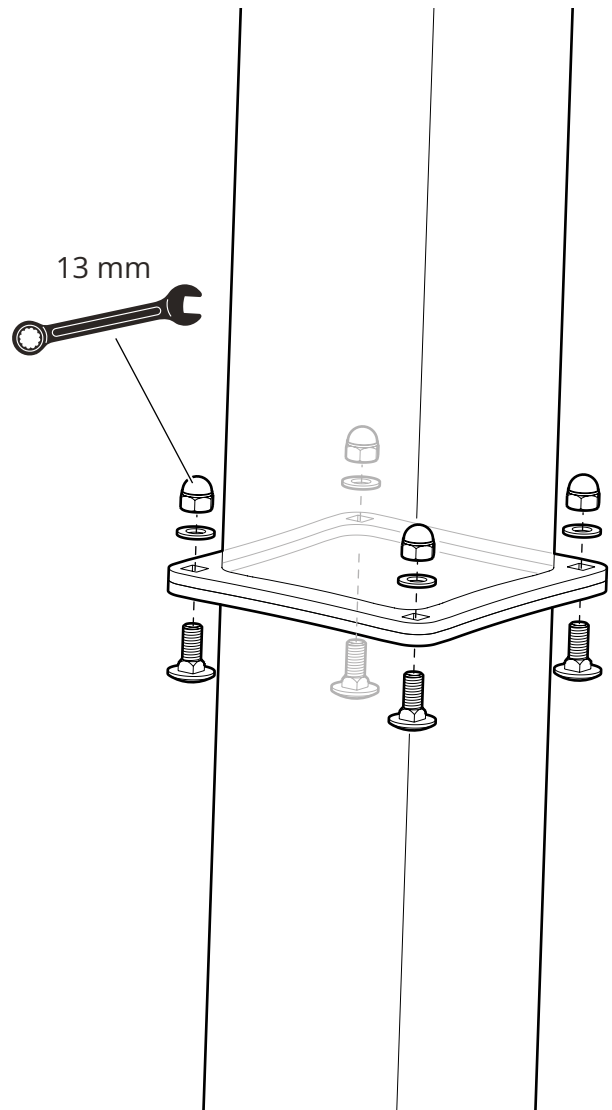
MTI FL



1



2



EXTRACTION ARMS · VEHICLE EXHAUST EXTRACTION · FANS · FILTERS · CURTAINS · CONTROLS

MOVEX

104 Commerce Drive, Suit C, NORTHAMPTON, PA 19067, USA · Tel 610-440-0478 · info@movexinc.com · www.movexinc.com