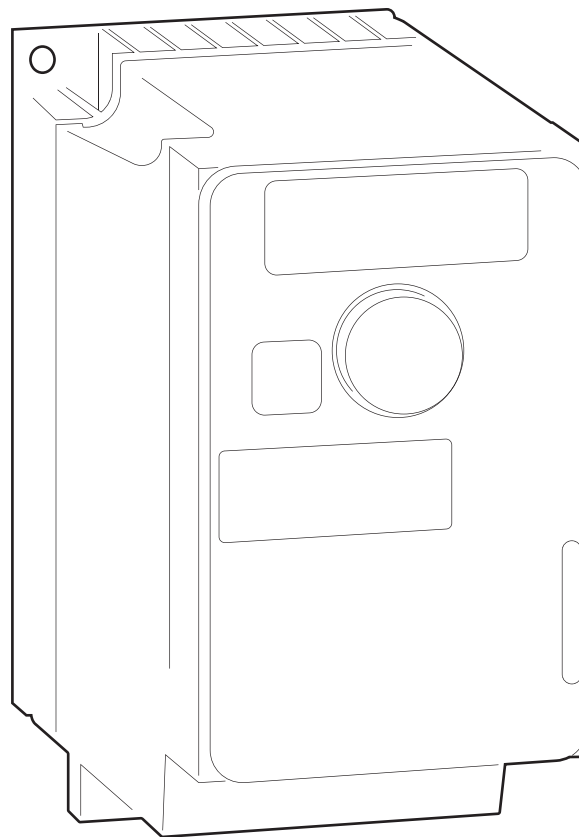




Programming manual

# SFC

**SFC PS**  
0.75-15 Hp



## General

This manual is a quick aid for easy programming of the frequency converter together with the potentiometer **SFC PS** and shall not be seen as a complete product manual.

## Function

All programming is executed on the keys at the front display **Fig. 1**. The jog dial (1) is used for navigating the menus and to select or confirm information. The ESC key (2) quits a menu/ parameter or clears and reverts the value. The front panel is opened via button (3).

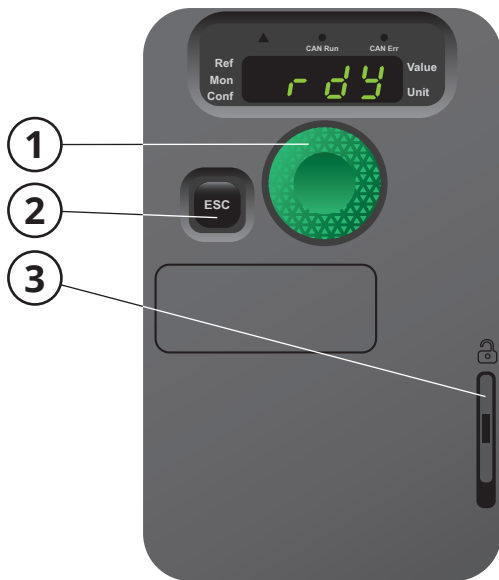


Fig. 1

## Parameter choice

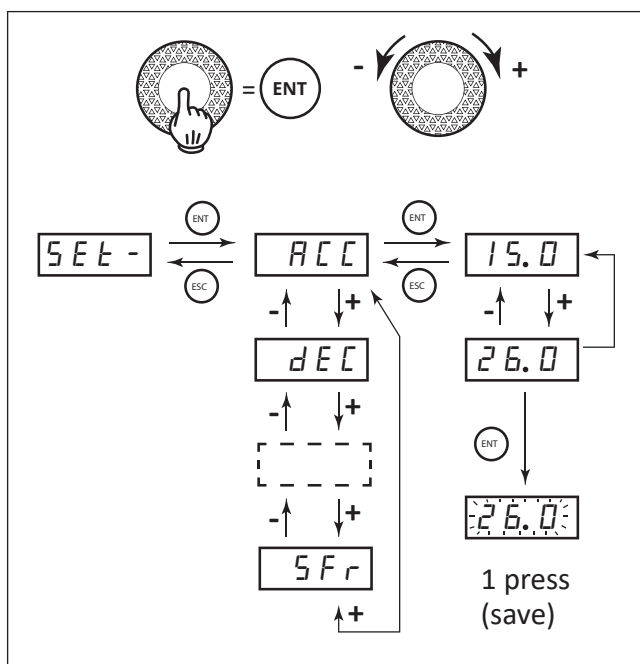


Fig. 2

## Electrical wiring

The supply voltage is connected to terminal (6) **Fig 3**. The supply cable for the fan motor is connected to terminal (7). The start signal is wired between DI1 and +24 at terminal (8). The signal from the potentiometer is wired between COM, AI1 and 10V at terminal (9).

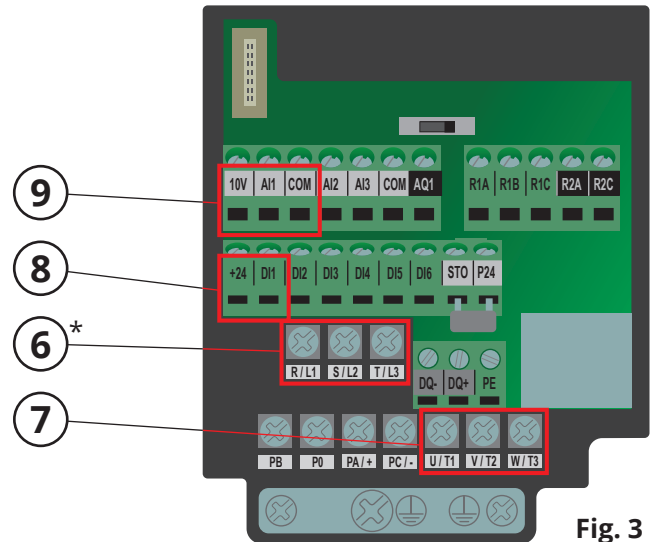
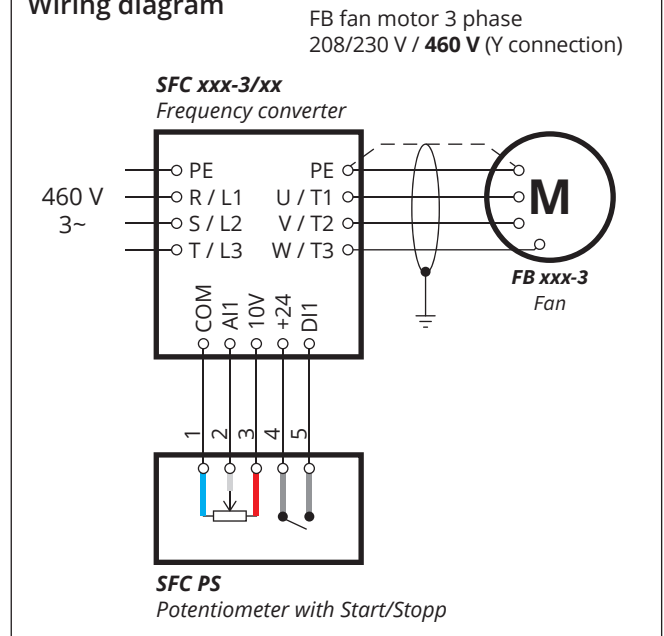


Fig. 3

## Wiring diagram



## Programming

Program all parameters as per the programming guide, see page 3. Start from the top (and go down) accordingly. During the programming, the fan must not receive any start signal. This means that DI1 and +24 (8) cannot be a closed circuit.

Note! The green parameters can be changed, to optimize current system. The red parameters can be found on the motor.

PROGRAMMING GUIDE						
Menu	Submenu	Parameter	Function	Factory settings	Recommended value	Chosen value
<i>ConF</i>	<i>FULL</i>	-	Access to configuration	-	-	
<i>drC-</i>	<i>CtC</i>	-	Variable torque	<i>Std</i>	<i>UF9</i>	
<i>SI n-</i>	-	<i>bFr</i>	Motor frequency (Hz)	<i>60</i>	<i>60</i>	
<i>SI n-</i>	-	<i>UnS</i>	Nominal motor voltage (V)	-	Varies	
<i>SI n-</i>	-	<i>FrS</i>	Nominal motor frequency (Hz)	<i>600</i>	Varies	
<i>SI n-</i>	-	<i>nCr</i>	Nominal motor current (A)	-	Varies	
<i>SI n-</i>	-	<i>nSP</i>	Nominal motor speed (rpm)	<i>1400</i>	Varies	
<i>SI n-</i>	-	<i>ACC</i>	Acceleration (s)	<i>30</i>	<i>50</i>	
<i>SI n-</i>	-	<i>dEC</i>	Retardation (s)	<i>30</i>	<i>50</i>	
<i>SI n-</i>	-	<i>LSP</i>	Min. frequency (Hz)	<i>00</i>	<i>150</i>	
<i>SI n-</i>	-	<i>HSP</i>	Max. frequency (Hz)	<i>600</i>	<i>600</i>	
<i>SI n-</i>	-	<i>IEH</i>	Thermal motor protection (A) = motor current	-	Varies	
<i>drC-</i>	<i>AS4-</i>	<i>nPC</i>	Motor parameter choice	<i>nPr</i>	<i>C05</i>	
<i>drC-</i>	<i>AS4-</i>	<i>C05</i>	Motor's Cos Phi	-	Varies	
<i>drC-</i>	-	<i>SFr</i>	Switch frequency (kHz)*	<i>40</i>	<i>16</i>	
<i>l_0-</i>	-	<i>tCt</i>	2 wire type	<i>trn</i>	<i>LEL</i>	
<i>FUn-</i>	<i>Stt-</i>	<i>Stt</i>	Stop type	<i>Stt</i>	<i>nSt</i>	
<i>FLt-</i>	<i>FLr-</i>	<i>FLr</i>	Soft restart	<i>n0</i>	<i>YES</i>	

\* Only to be changed when there is unusual noise from the motor.

## Default reset

When resetting to the factory settings, please proceed as below:

If the display doesn't show *rdY*, press **ESC** until it does. Enter menu *ConF* and select parameter *Fc5-*. Change the value from *Fc5l* to *Fr4-*, confirm with **ENT**. Change *ALL\_* to *ALL''* by pressing **ENT**. Go back one step in the menu with **ESC** and change from *Fr4-* to *bF5*. Press **ENT** and change *n0* to *YES* by pressing and holding **ENT** for 5 seconds.

The frequency inverter will now have the initial factory settings and is ready for programming again.

# Troubleshooting



Troubleshooting when power is on, should only be performed by an authorized electrician.

Information to identify potential problems can be found in the troubleshooting guide. Always go through the troubleshooting guide before contacting MOVEX.

TROUBLESHOOTING GUIDE		
Symtom	Probable cause	Recommended measure
<b>1. Programming failure.</b>	D11 and +24 are closed.	Remove wiring.
	The parameters are not programmed in the correct order.	Program the parameters, as per the programming guide from the top to the bottom.
<b>2. The system does not work.</b>	The wiring is not done as per the wiring diagram.	Check the wiring.
<b>3. Performance loss of the fan.</b>	Wrong rotation direction of the fan.	Check rotation direction.