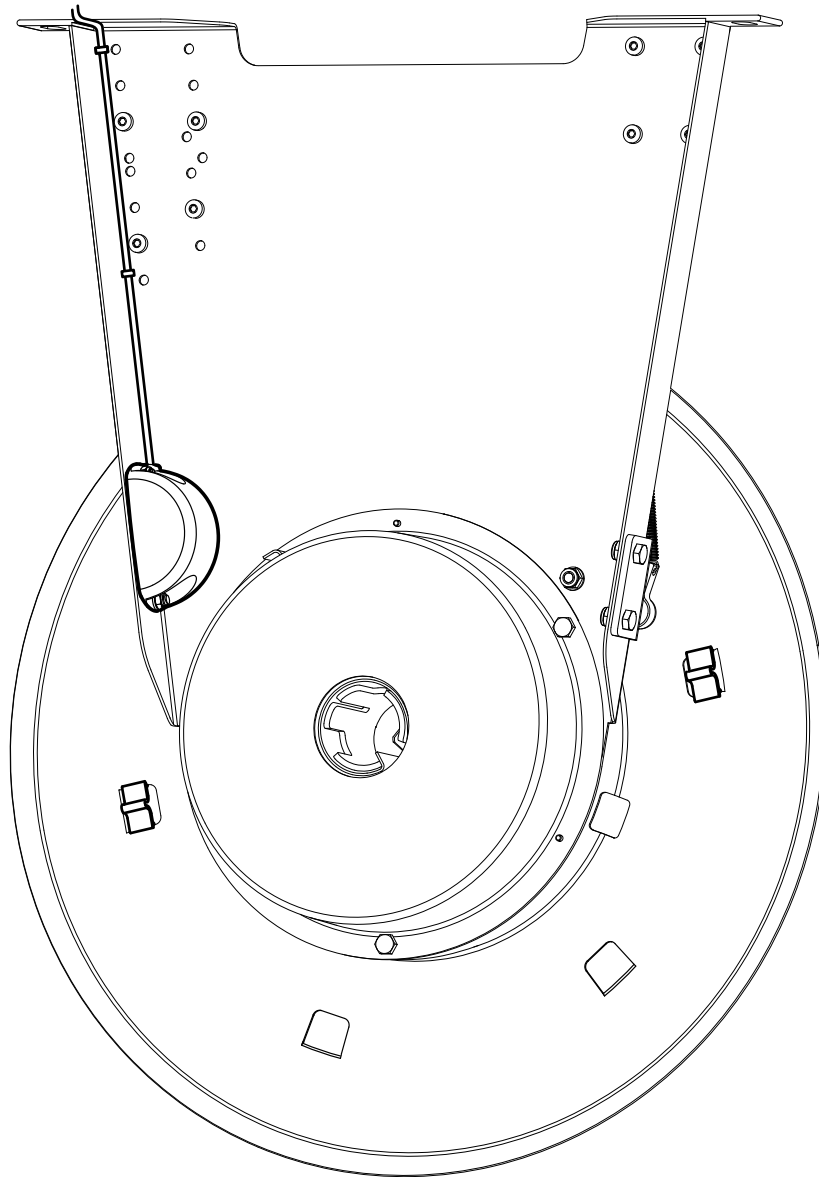
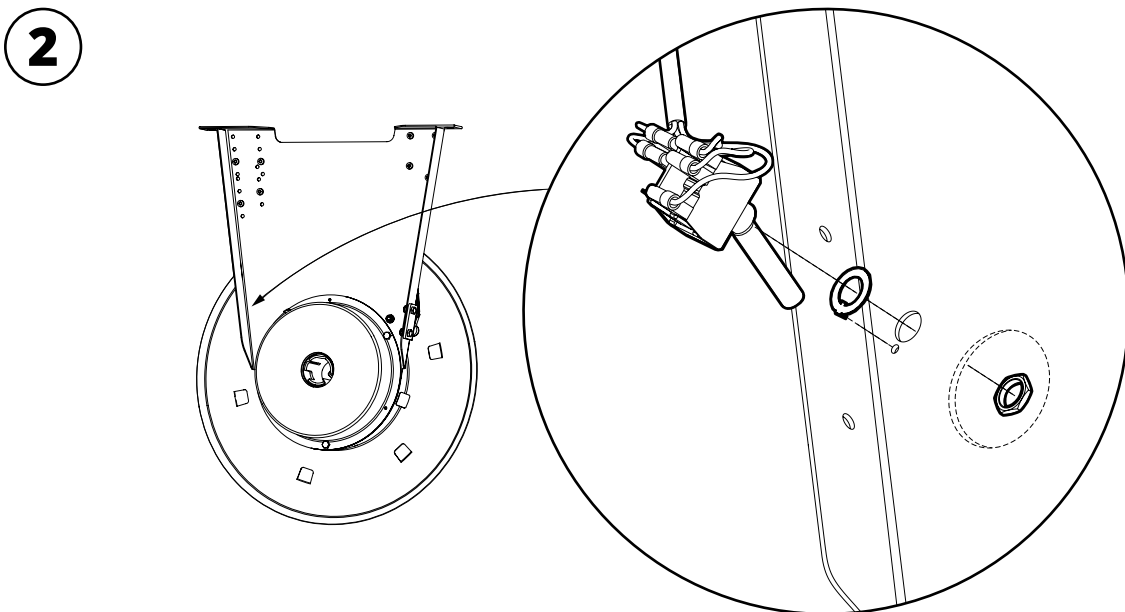
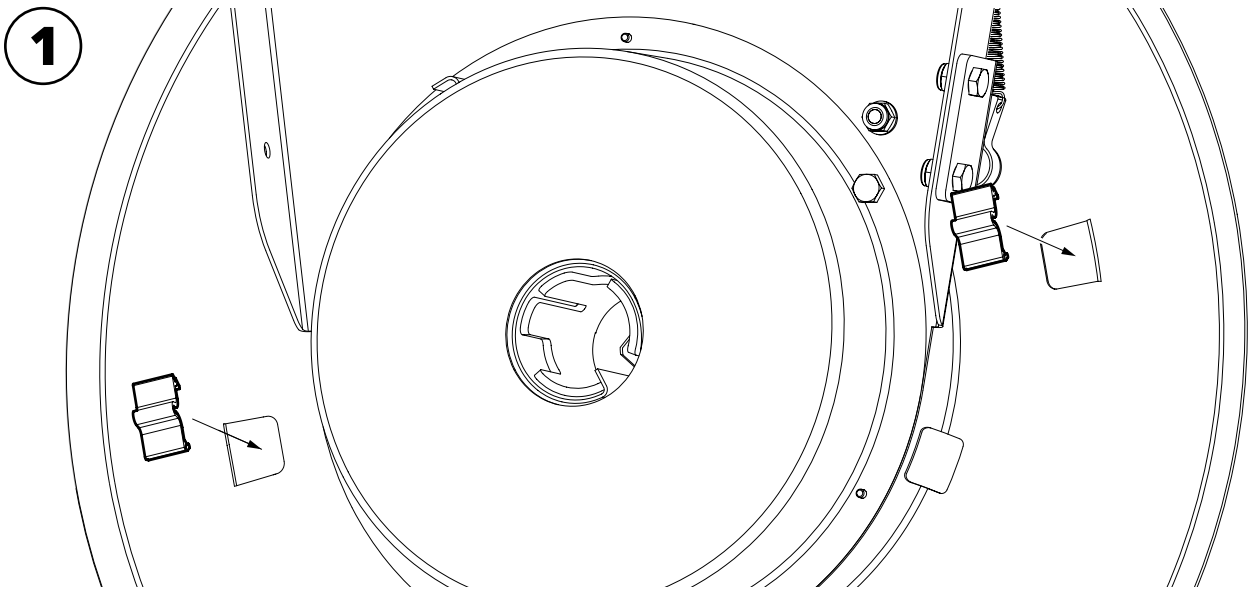
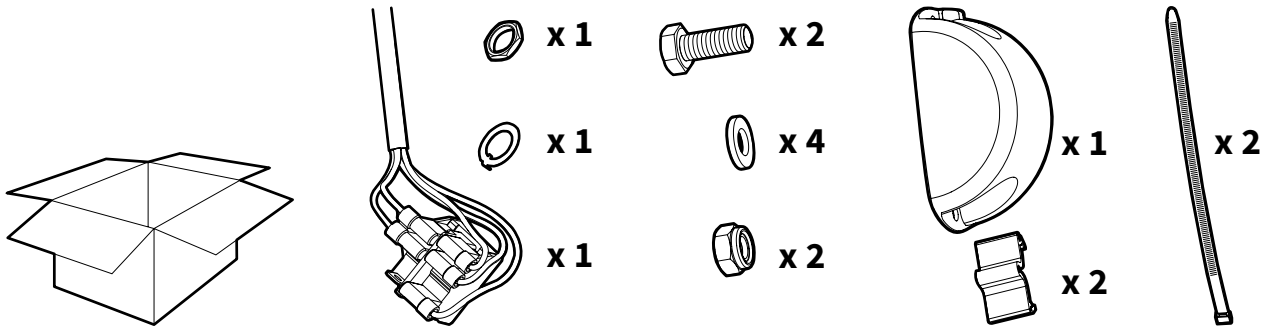




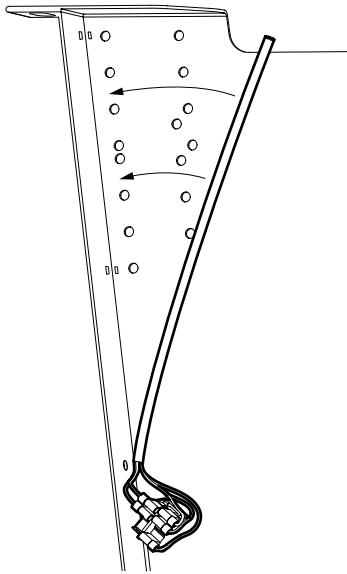
# ASE 865



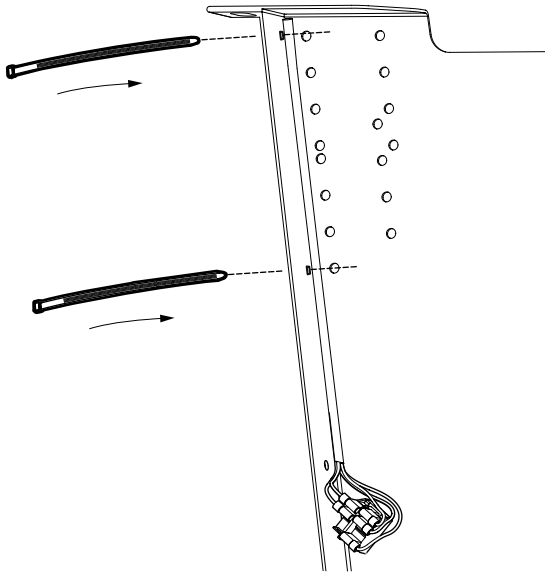


**3**

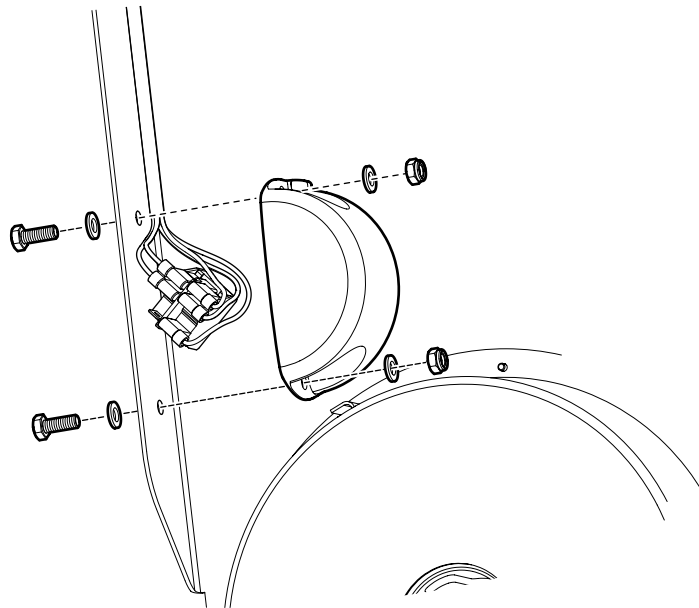
**A**



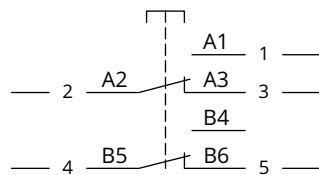
**B**



**4**



-BG1



EXTRACTION ARMS · VEHICLE EXHAUST EXTRACTION · FANS · FILTERS · CURTAINS · CONTROLS

**MOVEX**

104 Commerce Drive, Suit C, NORTHAMPTON, PA 19067, USA · Tel 610-440-0478 · info@movexinc.com · [www.movexinc.com](http://www.movexinc.com)