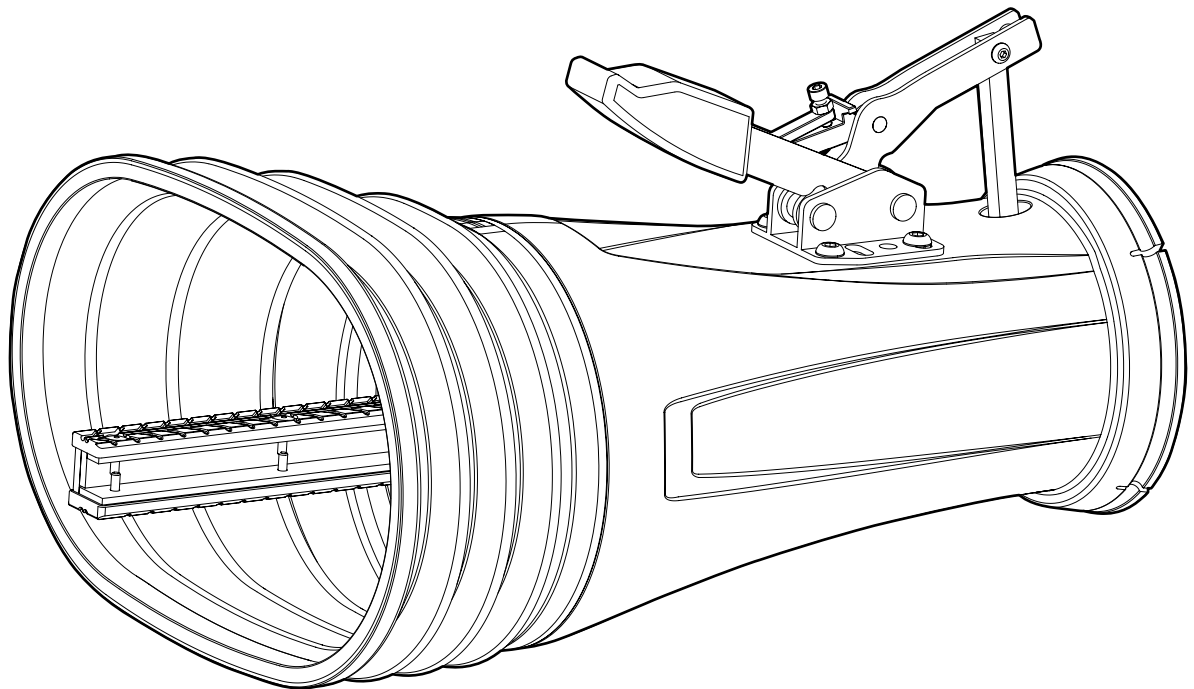




# AIM



## Information



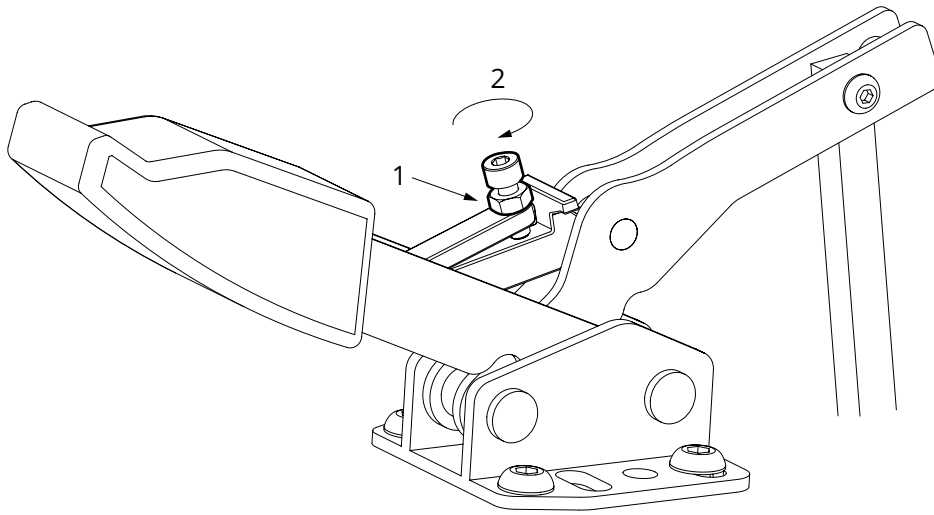
Before using this product adjust the nozzle tension.

At a low clamping force, the nozzle will not be attached and with a high clamping force it can damage the nozzle or attachments. For manual adjustment see below.

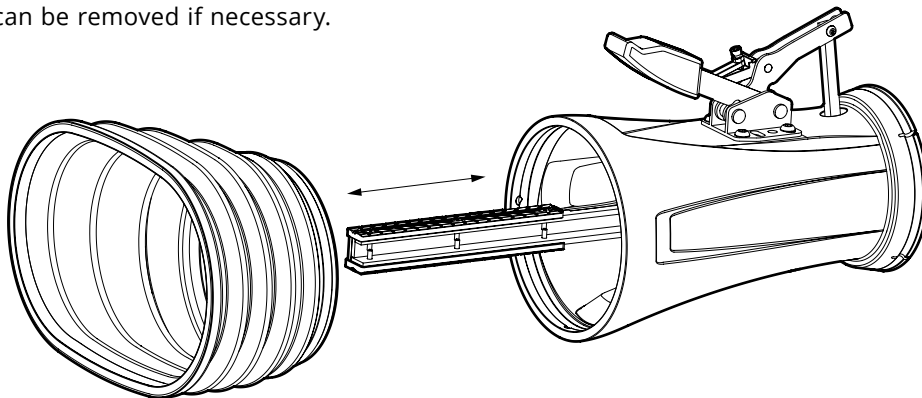
Attach only AIM on exhaust pipes of metal, attachment on other materials can damage the car.

## Adjustment

1. To adjust the nozzle clamping force, start by loosening the lock nut (1) completely, turn the adjustment screw (2) clockwise until it is fully at the bottom.
2. Test to attach nozzle in a exhaust pipe. If the clamping force is not sufficient, loosen the adjustment screw one revolution and test.
3. Repeat until the nozzle is attached firmly, without using much force on the tensioning handle.
4. Lock the adjustment screw in the chosen location with the lock nut.



The rubber hood can be removed if necessary.



EXTRACTION ARMS · VEHICLE EXHAUST EXTRACTION · FANS · FILTERS · CURTAINS · CONTROLS

# MOVEX