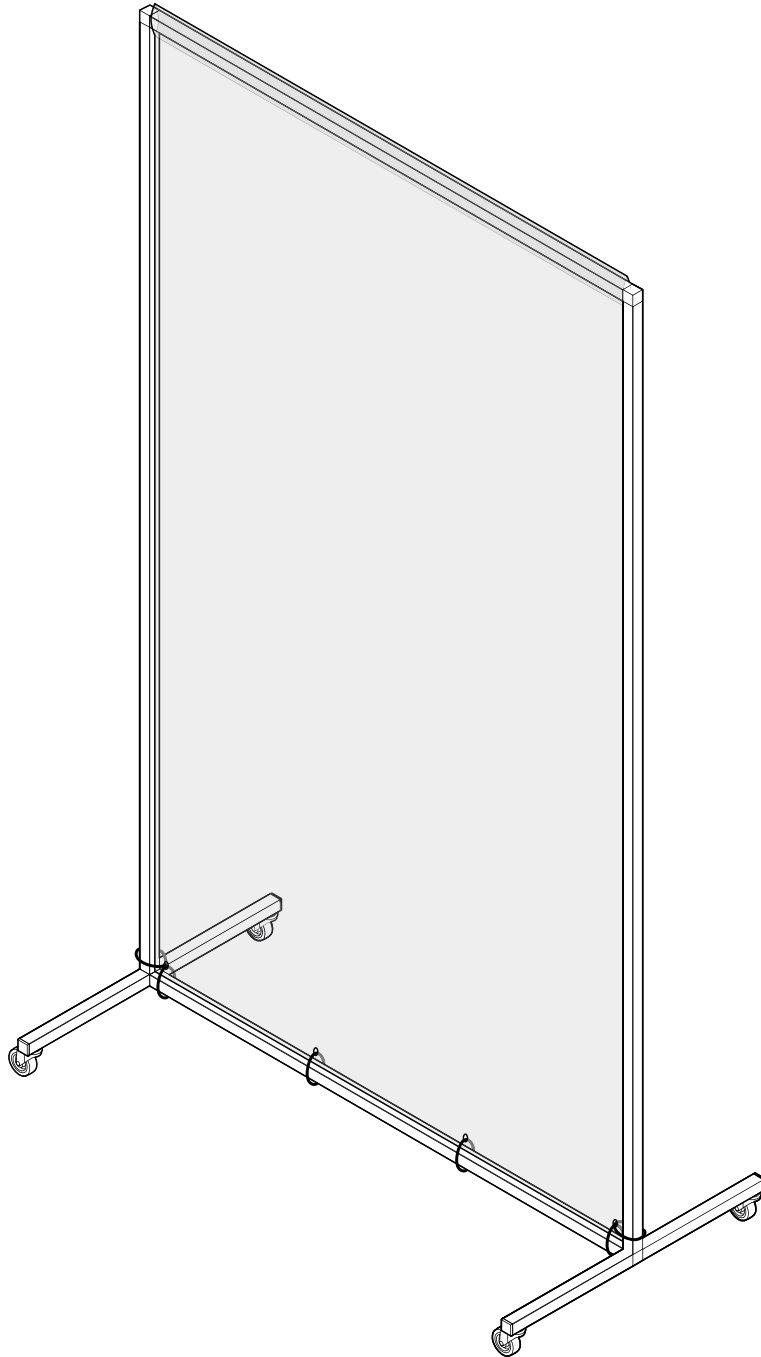


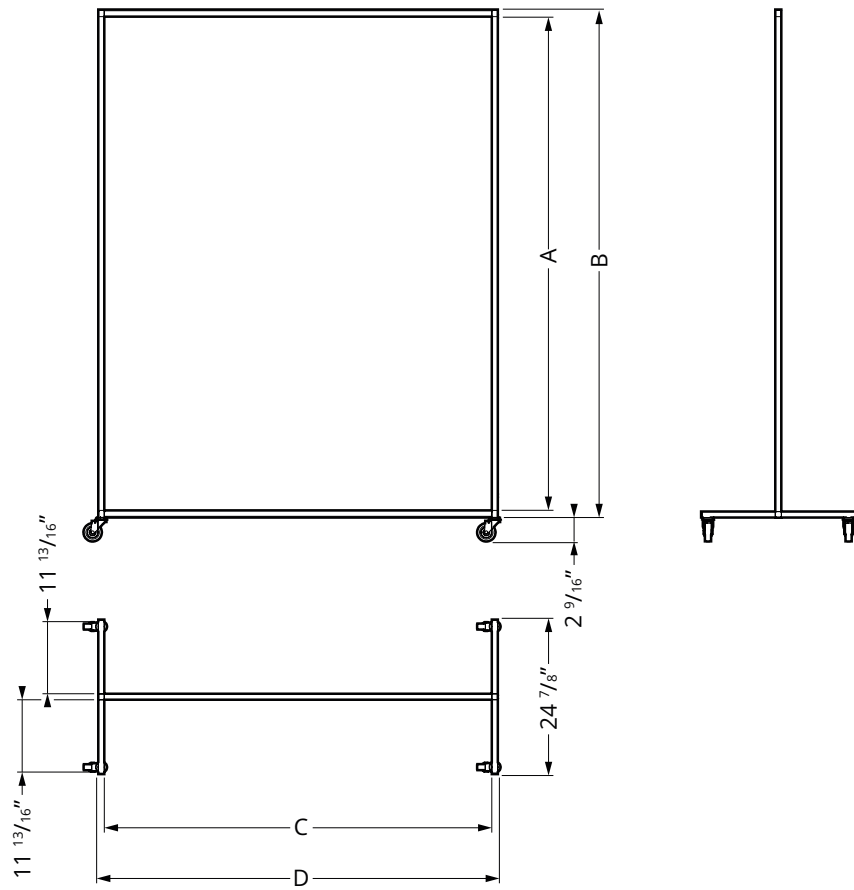


# BDR

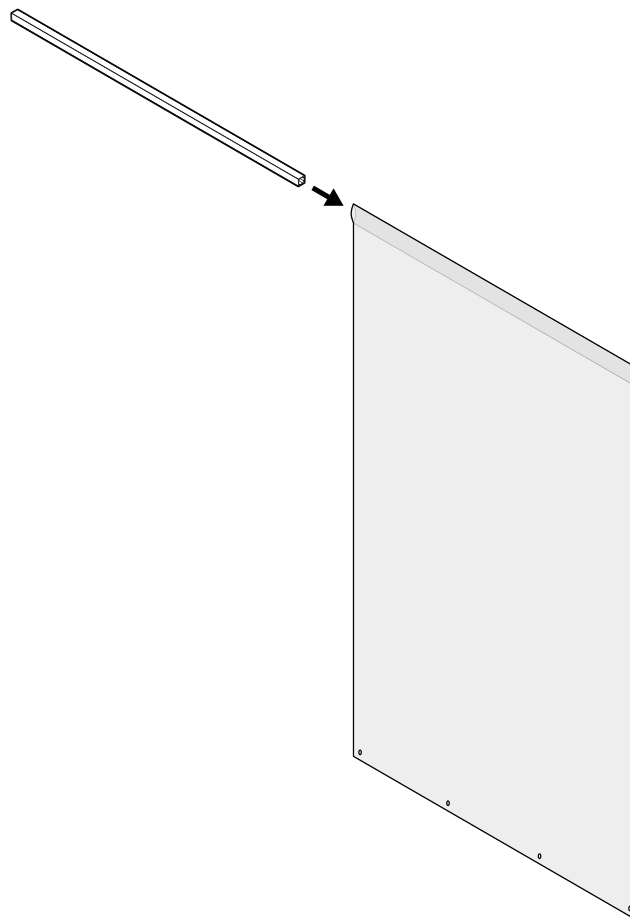


# Measures

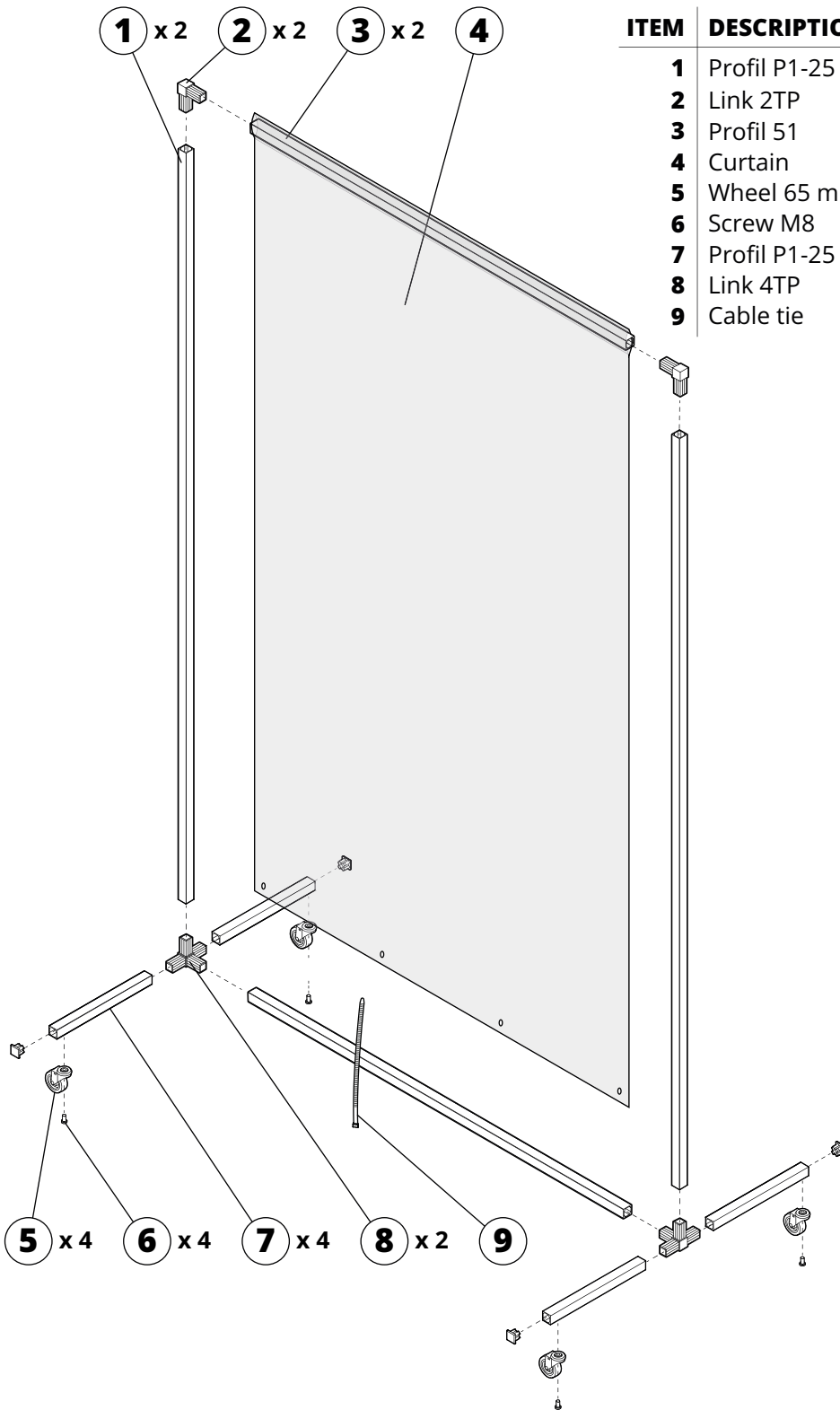
	(mm)	
	BDR 100	BDR 200
A	72 <sup>13</sup> / <sub>16</sub> "	75 <sup>13</sup> / <sub>16</sub> "
B	75 <sup>3</sup> / <sub>16</sub> "	78 <sup>1</sup> / <sub>8</sub> "
C	53 <sup>9</sup> / <sub>16</sub> "	78 <sup>3</sup> / <sub>4</sub> "
D	55 <sup>7</sup> / <sub>8</sub> "	81 <sup>1</sup> / <sub>8</sub> "



**1**

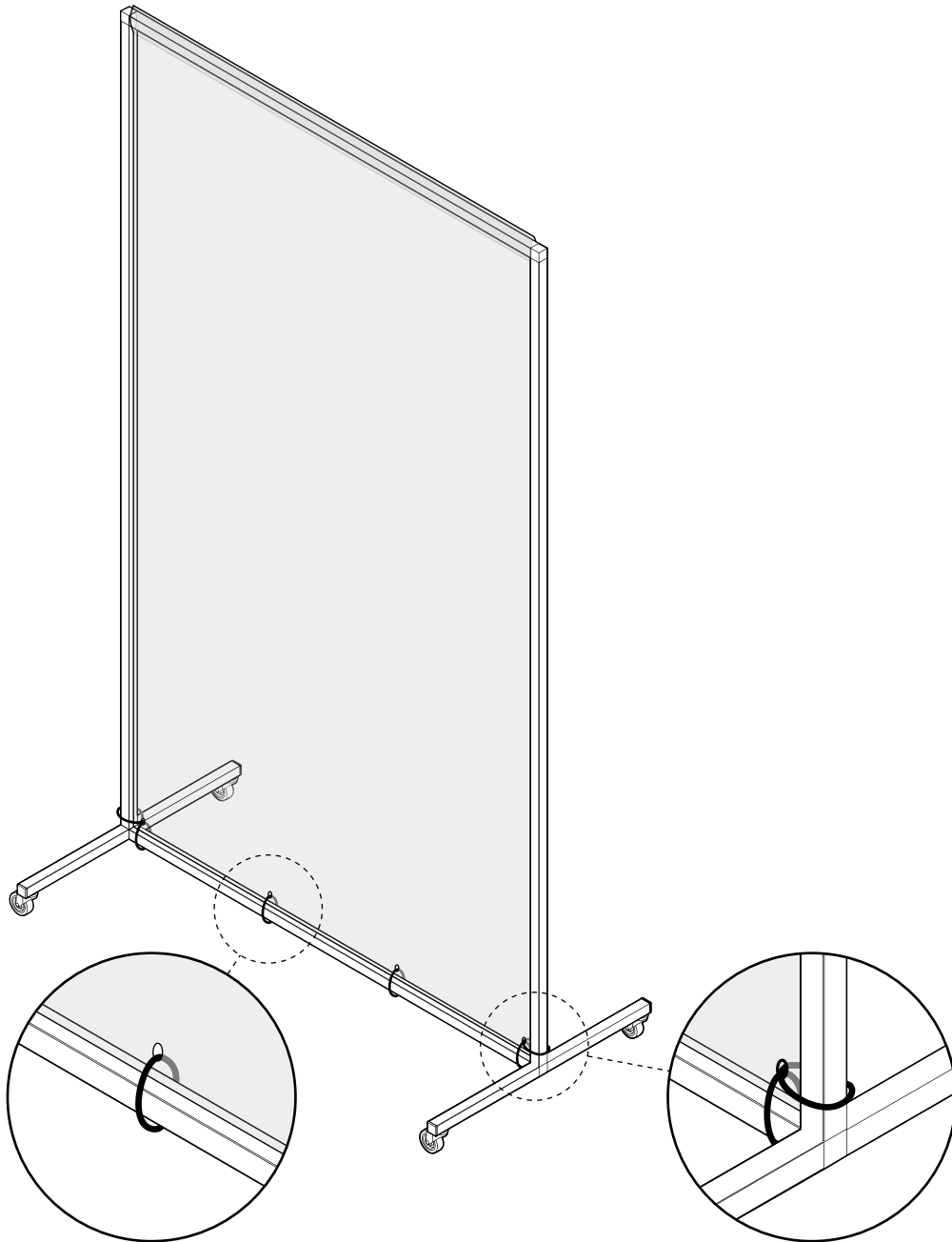


**2**



ITEM	DESCRIPTION		BDR 100	BDR 200
1	Profil P1-25	L=	72 <sup>13</sup> / <sub>16</sub> "	75 <sup>13</sup> / <sub>16</sub> "
2	Link 2TP			
3	Profil 51	L=	53 <sup>9</sup> / <sub>16</sub> "	78 <sup>3</sup> / <sub>4</sub> "
4	Curtain			
5	Wheel 65 mm			
6	Screw M8			
7	Profil P1-25	L=	11 <sup>13</sup> / <sub>16</sub> "	11 <sup>13</sup> / <sub>16</sub> "
8	Link 4TP			
9	Cable tie	Qty=	6 pcs	7 pcs

3



EXTRACTION ARMS • VEHICLE EXHAUST EXTRACTION • FANS • FILTERS • CURTAINS • CONTROLS

**MOVEX**

104 Commerce Drive, Suit C, NORTHAMPTON, PA 19067, USA · Tel 610-440-0478 · info@movexinc.com  
[www.movexinc.com](http://www.movexinc.com)