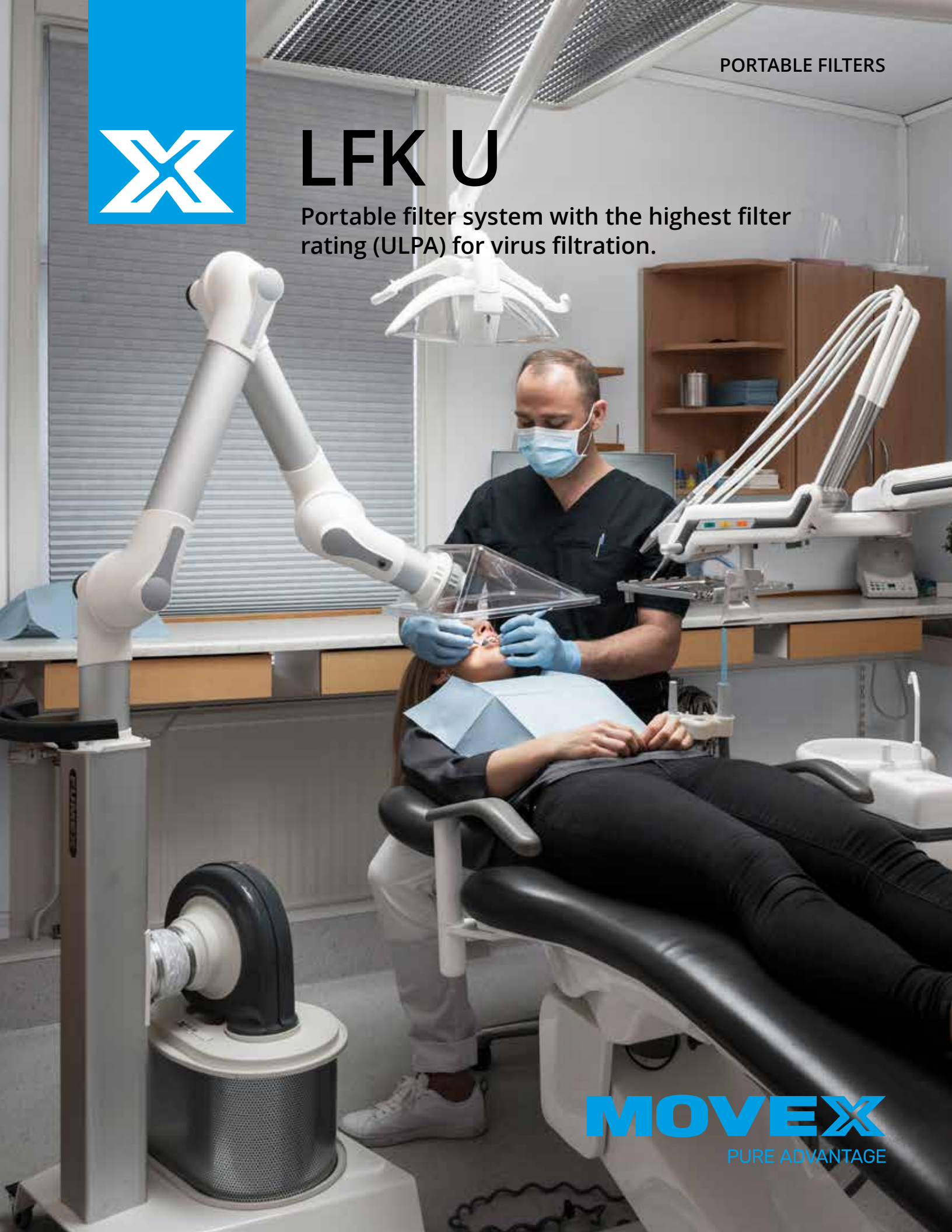


PORTABLE FILTERS



LFK U

Portable filter system with the highest filter rating (ULPA) for virus filtration.



MOVEX
PURE ADVANTAGE

MOVEX **LFK U**

LFK U

- Filter FPU 50
- Fan FF 100
- Hose SL-100LF
- Flexible table bracket MBF
- Extractor arm MEB 1300-50/75
- Suction Nozzle MES 300-50/75

LFK U on LF TR

- Filter FPU 50
- Fan FF 100
- Hose SL-100LF
- Portable Trolley LF TR
- Extractor arm MEB 1300-50/75
- Suction Nozzle MES 300-50/75



Portable filter system for environments where protection against viruses is essential, e.g. dental clinics, healthcare facilities and laboratories.

MOVEX LFK U is an effective and flexible solution consisting of a fan, filter and extraction arm in a single unit. It is highly suitable for use in healthcare environments where exhaled air, which could potentially contain viruses or residues from inhaled medicines, can be problematic.

Movex LFK U is available in two versions: **LFK 150U** with a Ø2" extractor arm, and **LFK 175U** with a Ø3" extractor arm. LFK U works according to the low-vacuum principle, which entails a very low risk of filter failure, produces little noise and has low power requirements.

For maximum efficiency, Movex LFK U is equipped with a highly efficient filter (ULPA 15 rating), an optimised fan with a reliable EC motor with speed control and a

flexible ME extractor arm, which features the lowest pressure drop on the market.

Among the accessories is the **LF TR**, a portable trolley on lockable wheels with bracket for the ME extractor arm.

LF TR is compact and easily blends into the work environment.

The fan and filter can be combined with other extractors available in Movex range of products.

Virus filtration

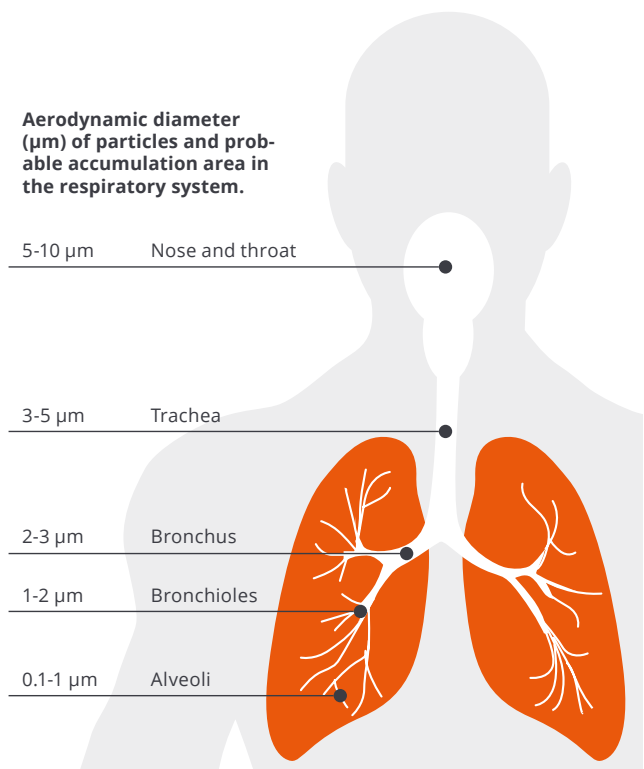
Viruses in dry form have a size of 0.08-0.12 µm but are usually bound to an aerosol and are therefore almost always larger. A ULPA filter is very good at filtering these particles.

Movex LFK U has an ULPA filter (FPU 50) as standard. The filter is rated ULPA 15 and tested in accordance with EN 1822-1 (ISO 55H according to ISO 29463) and has a separation efficiency >99.9995%.

The filter is tested using the MPPS (Most Penetrating Particle Size) method with a size of 0.17 µm, which is the most difficult size for a filter to capture. For smaller or larger particles, the filter has higher separation efficiency.

The filter test is carried out at flow of 60 cfm per 11 ft² filter area. At higher flows per ft², the filter efficiency is reduced. Movex FPU 50 has a filter area of 52 ft² and can thus tolerate a flow of up to 282 cfm without diminished separation efficiency.

The FPU 50 filter should be replaced once a year.



Accessories

MOBILE TROLLEY LF TR
 Mobile trolley for LFK U with lockable swivel wheels and mount for ME extractor arm.
 Art. no: LF TR
 Dimensions (HxWxD): 37x30x24"
 Weight: 34 lb



EXHAUST AIR ADAPTER

Art. no: LF VTA
 Ø5" exhaust air duct connector. Cannot be combined with LF TR.



FLEXIBLE SUCTION NOZZLE

Art. no:
 MEFS 600-50 (Ø2")
 MEFS 600-75 (Ø3")
 Length: 24"



SQUARE HOOD

Art. no:
 MESH 350-50 (Ø2")
 MESH 350-75 (Ø3")
 Dimensions: 12x14"



FLAT SCREEN HOOD

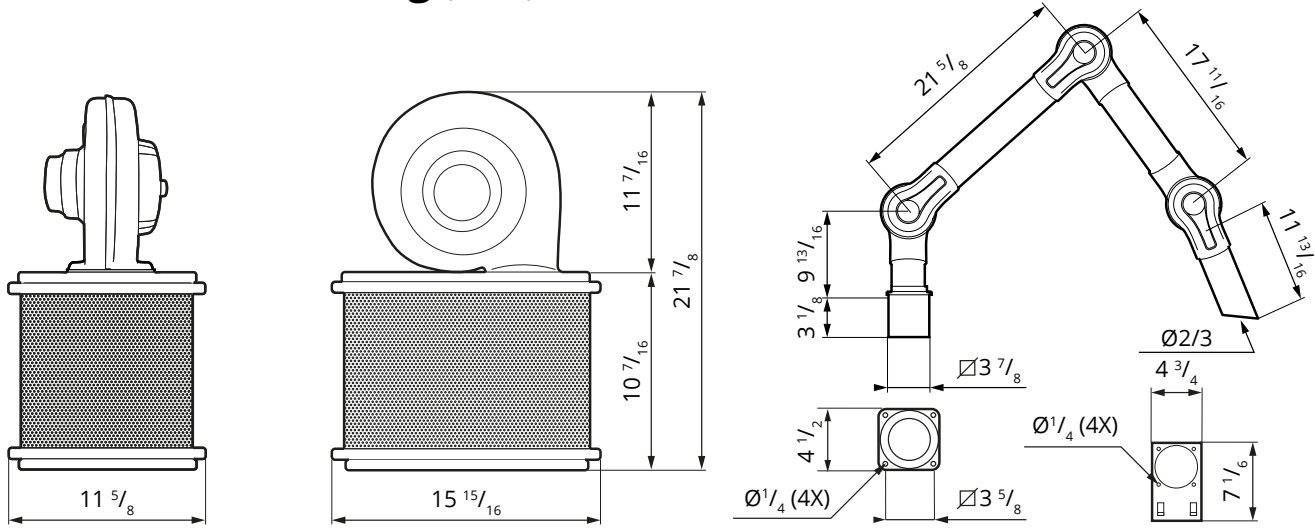
Art. no:
 MEPH 300-50 (Ø2")
 MEPH 300-75 (Ø3")
 Dimensions: 12x8"



DOME HOOD

Art. no:
 MEK 350-50 (Ø2")
 MEK 350-75 (Ø3")
 Dimension: Ø14"

Dimensional drawing (inch)



Specifications

Form of delivery

The complete kit for easy installation contains:

- Fan FF 100
- Filter FPU 50
- Hose SL-100LF, 10 ft
- Table mount MBF

including:

- LFK 150U**
 - Extractor arm MEB 1300-50
 - Suction Nozzle MES 300-50
- LFK 175U**
 - Extractor arm MEB 1300-75
 - Suction Nozzle MES 300-75

Surface finishing

Sheet metal parts Powder coated, galvanized
Aluminum parts Anodized

Filter

Particle filter designed to meet the highest filtration requirements (ULPA 15 rating), tested in accordance with EN 1822-1 (ISO 55H according to ISO 29463) with separation efficiency >99.9995% MPPS.

Hose type

PVC-coated polyamide fabric with fully embedded spring steel coil. Temperature range 14 °F to 194 °F.

Fan

Fan housing in ABS plastic. EC motor with variable speed control.

Article	Voltage	Rated current (A)	Power	Frequency
FF 100-115V	100-130V	2,1 A	0.2 hp	50-60 Hz

Sound level 60 dB(A)

Max temperature 122 °F

Recommended air flow:

LFK 150U: 44 cfm

LFK 175U: 88 cfm

Weight

LFK 150U 26 lb

LFK 175U 28 lb

THE MOVEX RANGE INCLUDES EXTRACTION ARMS · VEHICLE EXHAUST EXTRACTION · FANS · FILTERS · CONTROLS

MOVEX

104 Commerce Drive, NORTHAMPTON, PA 18067, USA • Tel: 610-440-0478 • Fax: 610-440-0480 • Email: info@movexinc.com

www.movexinc.com