

Design

S 600 is a transformer and relay unit designed for automatic control of e.g. fans and dampers.

Installation

Terminal 1-2, Inactiv (max AWG 15)

Terminal 3-4, Dry contact (max AWG 15)

Terminal 5-6, 24V~ (max AWG 15)

Terminal 7-8, 24V~ Control circuit start/ stop (AWG 15)

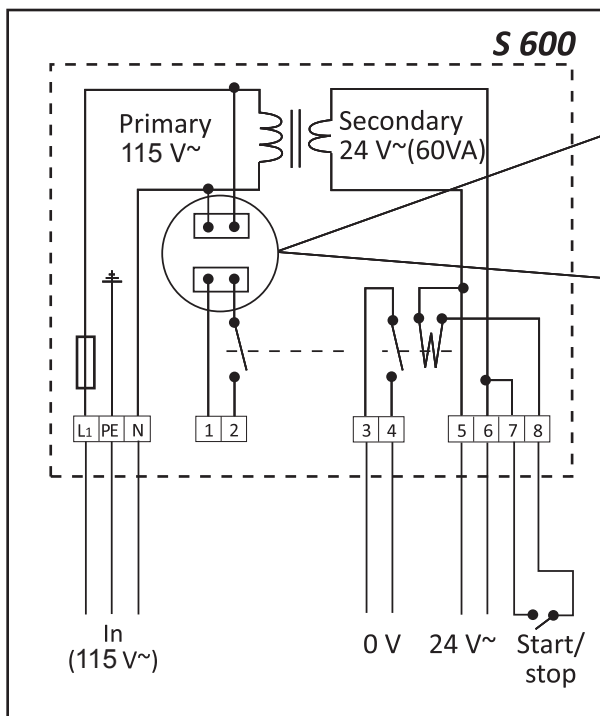
Control accessories

S 400, Relay unit with built-in timer.

SKD, Junction box.

Wiring diagram

Connection as below.



Technical data

Primary supply:	115 VAC, 60 Hz
Secondary circuit:	24 VAC
Max. power term. 1-2:	230 W at 115 VAC
Fuse:	1AT L250V
Ambient temp.:	-4 to 140 °F

Meet standards

-EMC:	EN 61000-6-4
	EN 61000-6-2
-LVD:	EN 61010-1

Enclosure

Material:	PC
Enclosure:	IP54
Dimensions:	5 ^{1/8} x 7 ^{1/16} x 4 ^{1/16} inches

Activation of terminal 1-2

1-2, Potential free contact. For use of e.g. a damper with a PF cartridge filter unit. Put a jumper connection according to drawing below. (cable area max AWG 15).



1-2, 115V~ contact. For use of e.g. external contactor. Put a jumper connection according to drawing below. (cable area max AWG 15).



Maintenance

Maintenance free.

