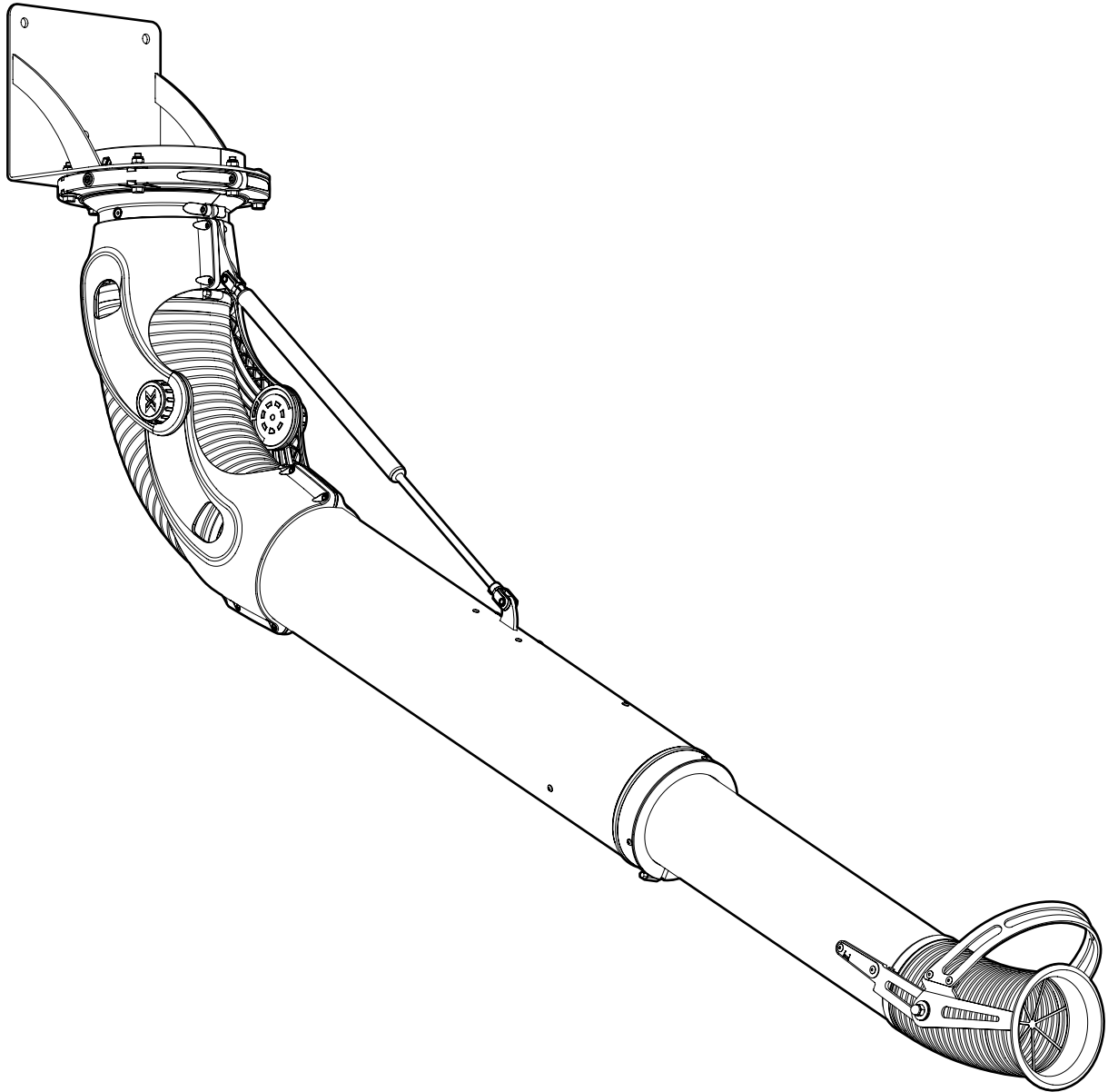




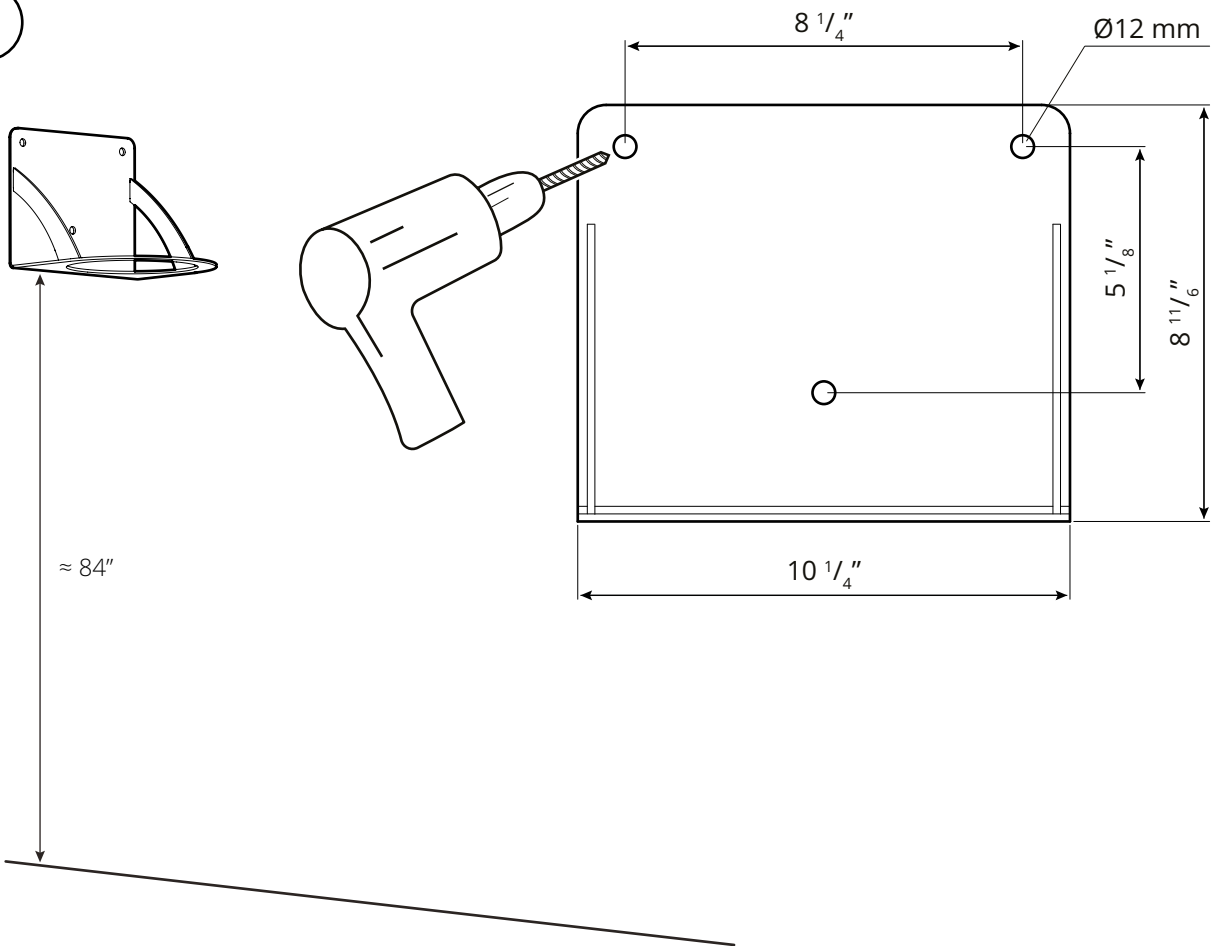
PTEX



MOVEX

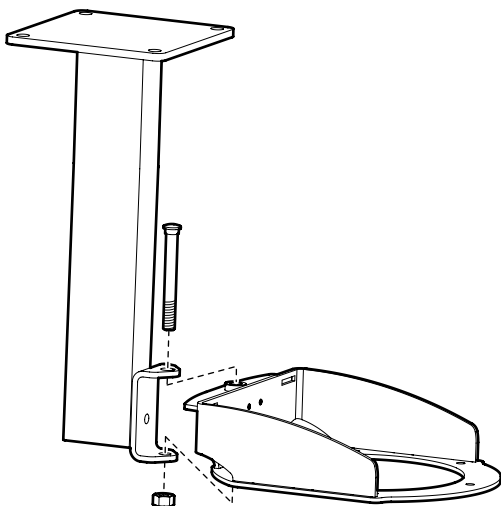
PURE ADVANTAGE

1

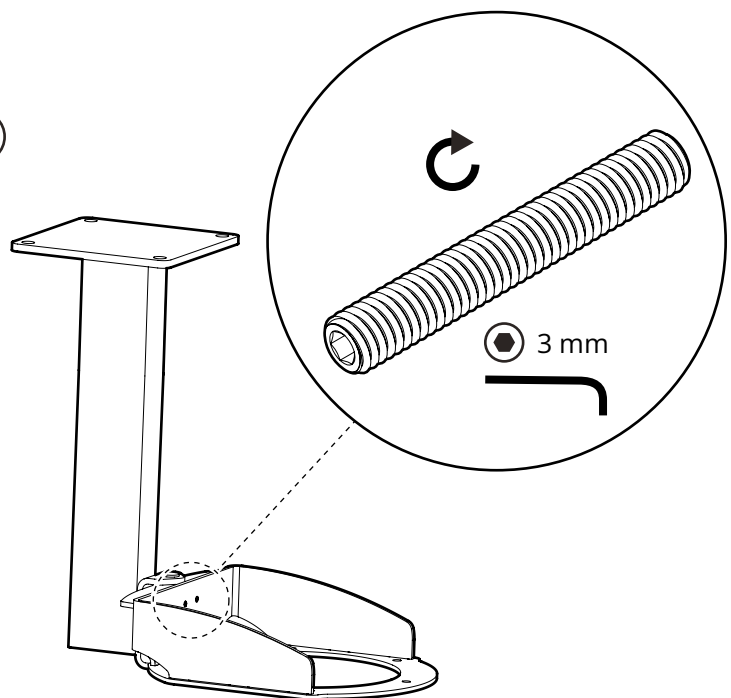


PTXA

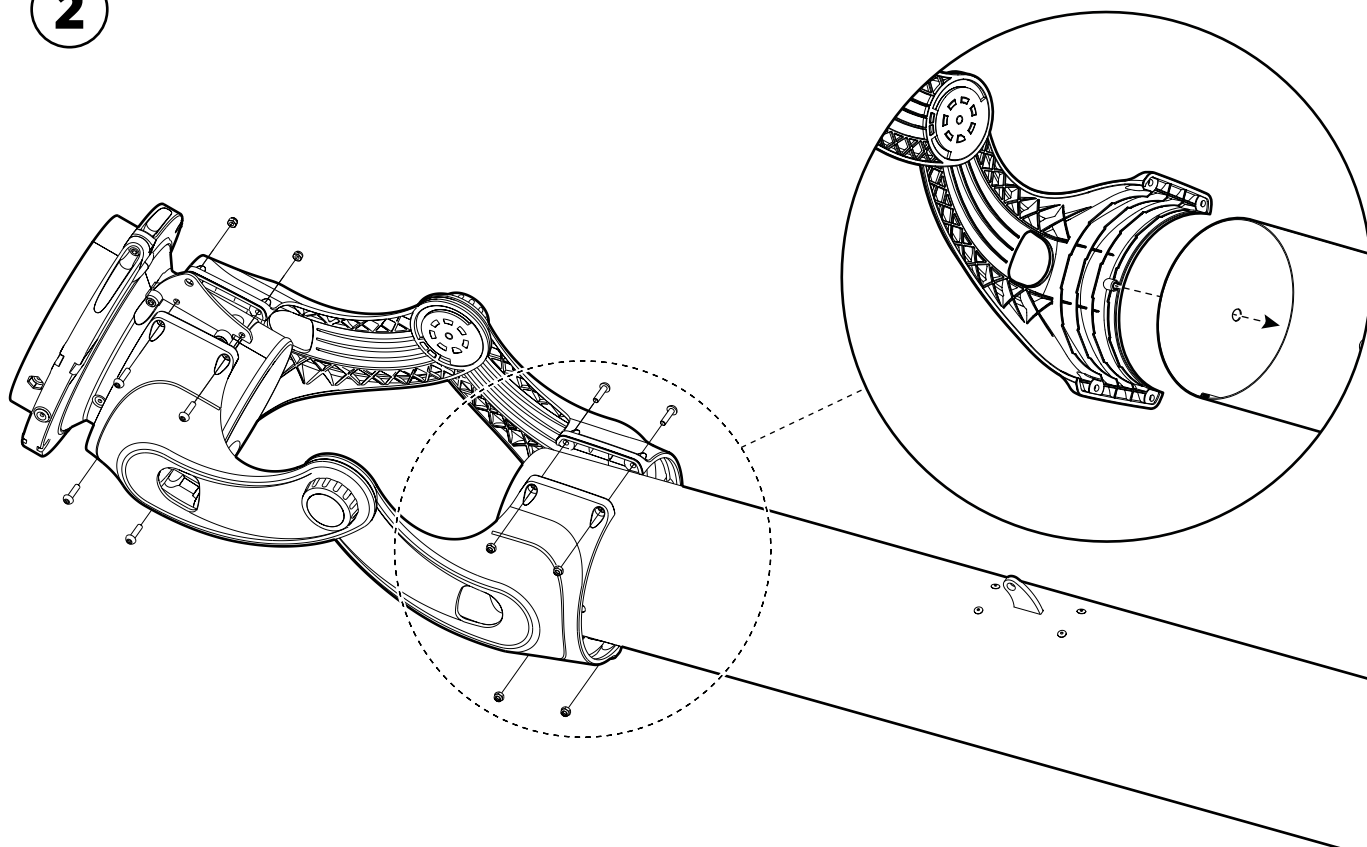
A



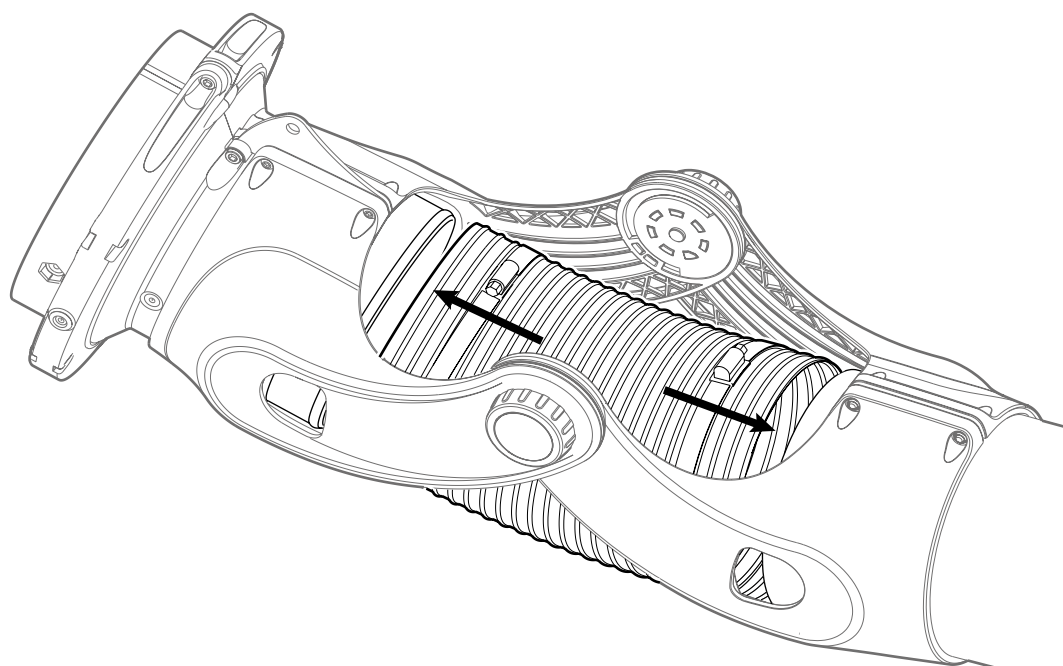
B



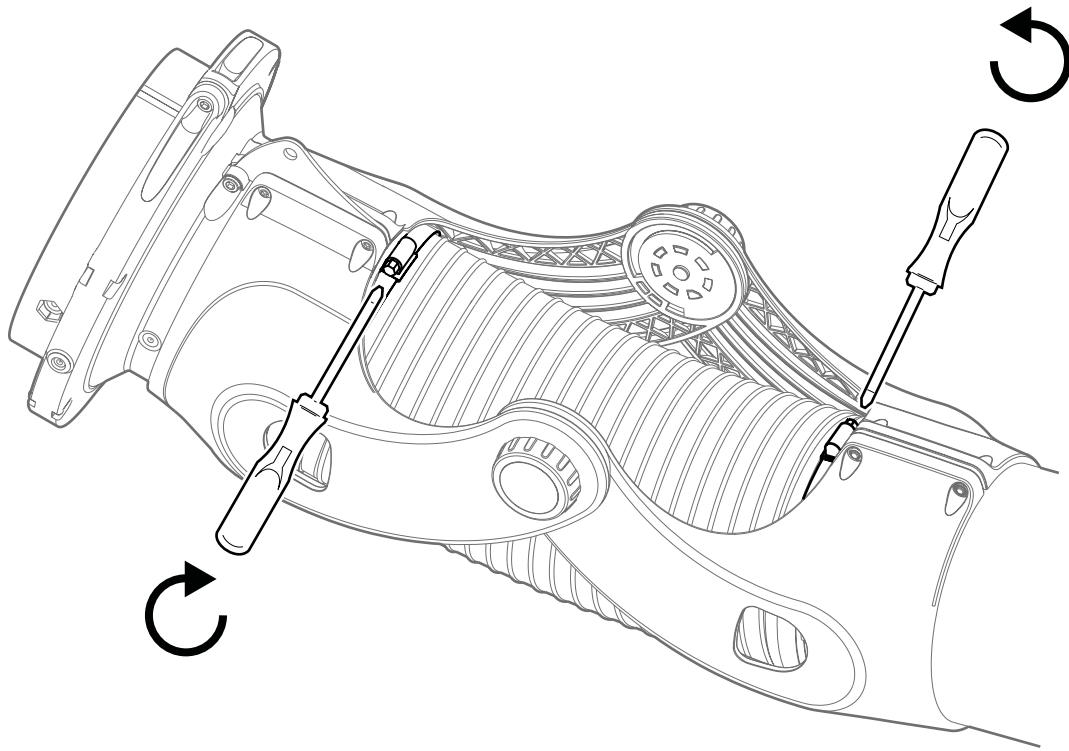
2



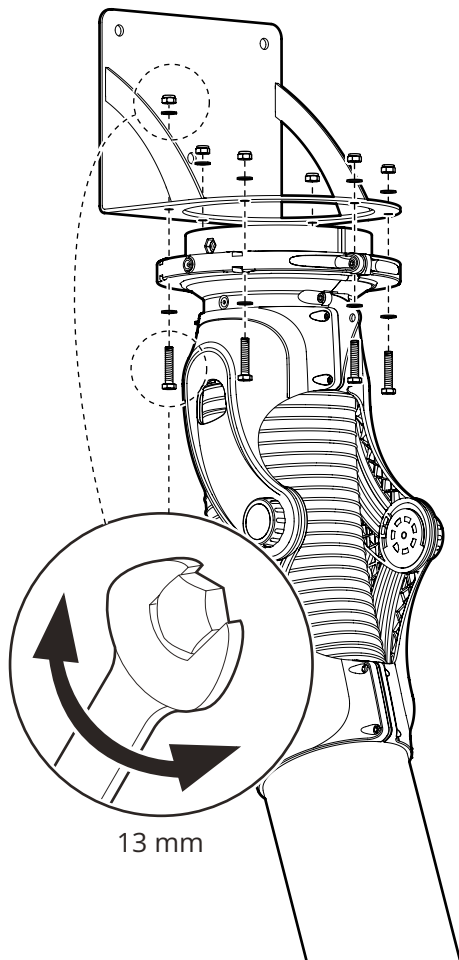
3



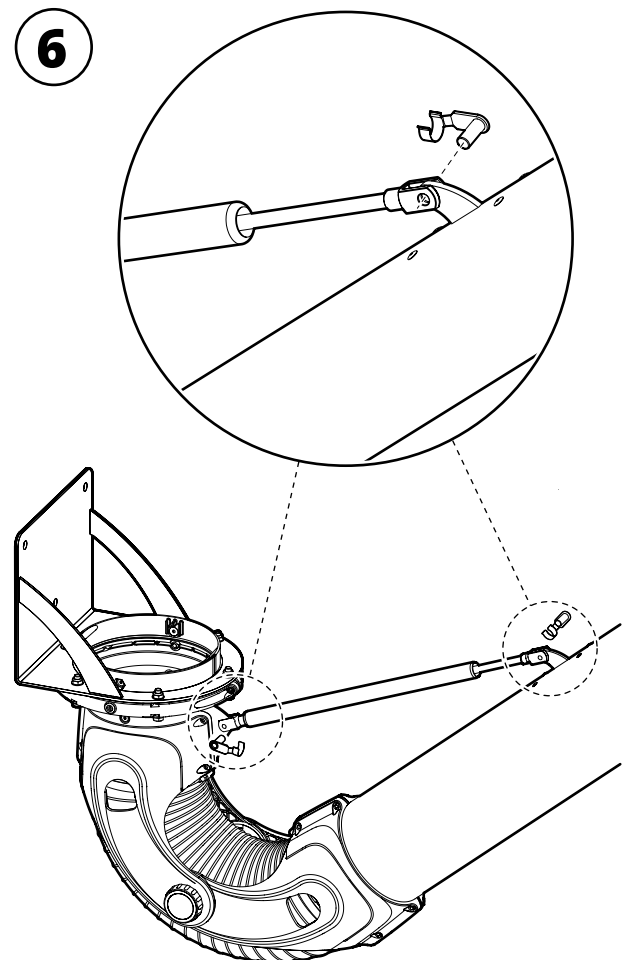
4



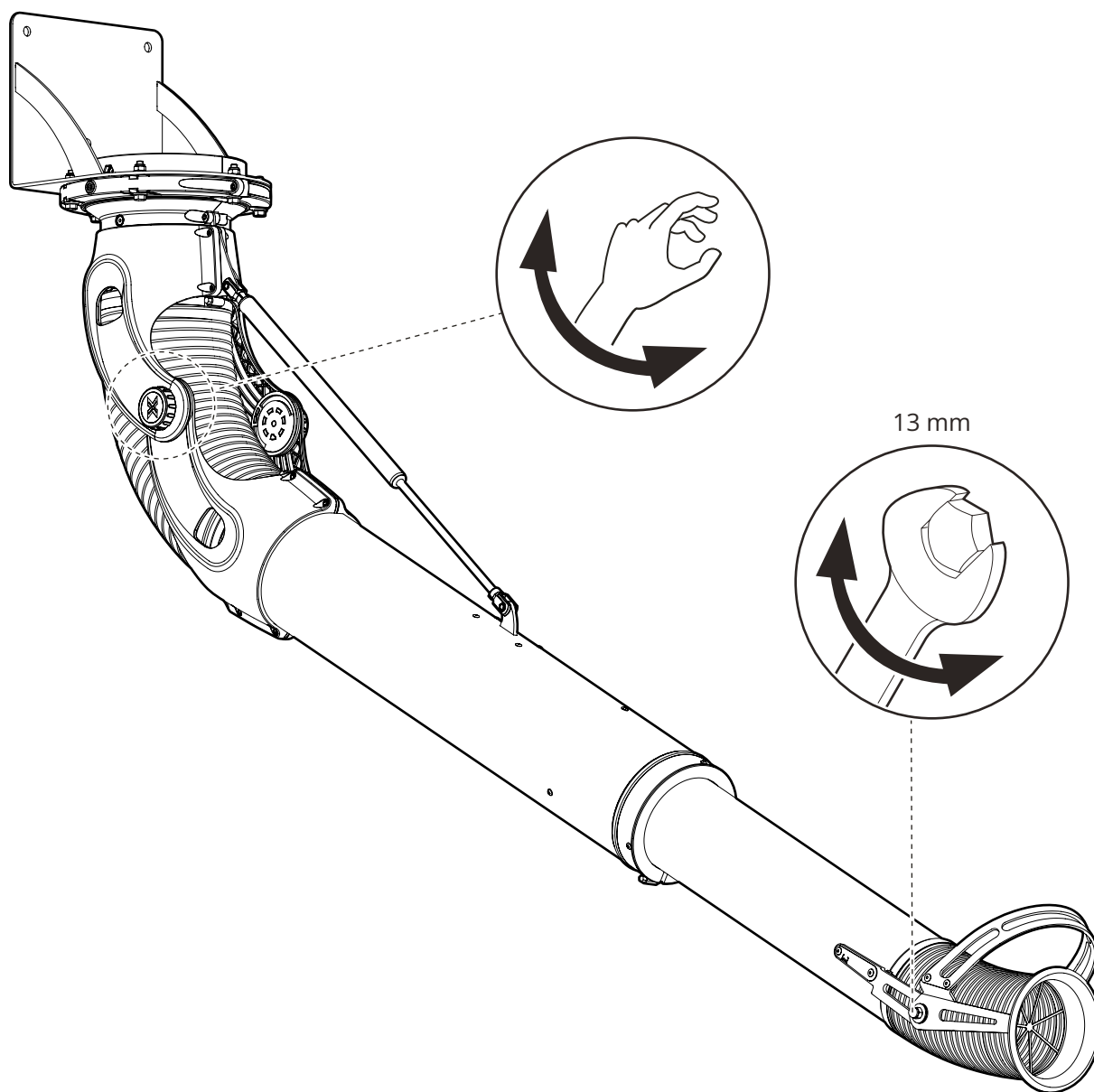
5



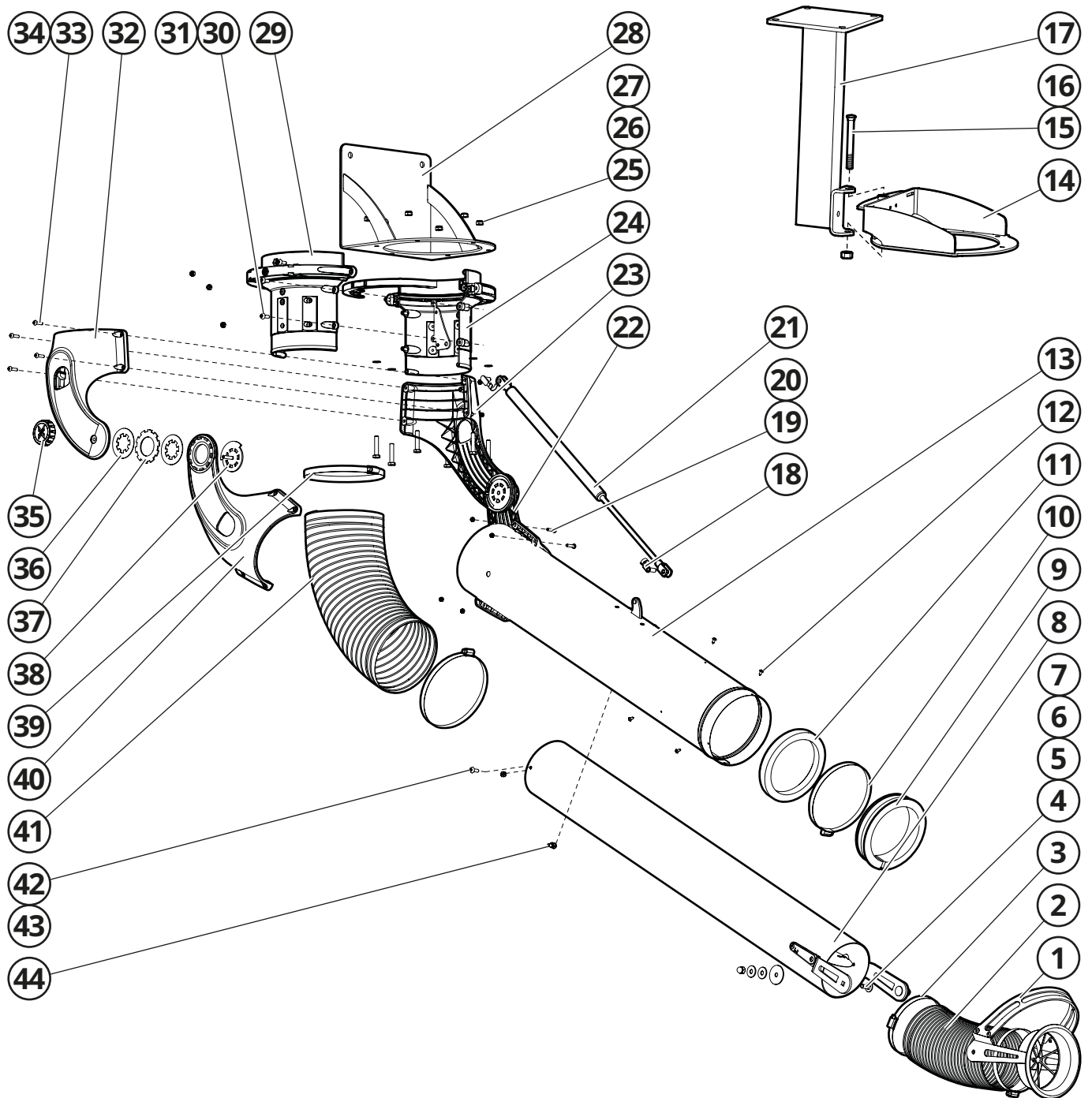
6



7



Exploded view



Notes

EXTRACTION ARMS · VEHICLE EXHAUST EXTRACTION · FANS · FILTERS · CURTAINS · CONTROLS

MOVEX

104 Commerce Drive, Suit C, NORTHAMPTON, PA 19067, USA · Tel 610-440-0478 · info@movexinc.com · www.movexinc.com